

CMT ORANGE TOOLS®

CMT650

EN	Worktop Jig	2-11
ES	Sistema de junta para encimeras de cocina	12-21
FR	Système de jonction pour les plans de cuisine	22-31
IT	Sistema di giunzione per piani da cucina	32-41
DE	Verbindungssystem für Küchenarbeitsflächen	42-51
RU	Приспособление для соединений столешницы	52-61
PL	Szablon do łączenia blatów	62-71

SAFETY!!!
 THE SYMBOLS SHOWN ON THE COVER OF THIS MANUAL ADVISE THAT YOU WEAR THE CORRECT SAFETY PROTECTION WHEN USING THIS MACHINE.

SAFETY PROTECTION SYMBOLS



Safety helmet



Dust mask



Protective gloves



Ear defenders



Safety shoes



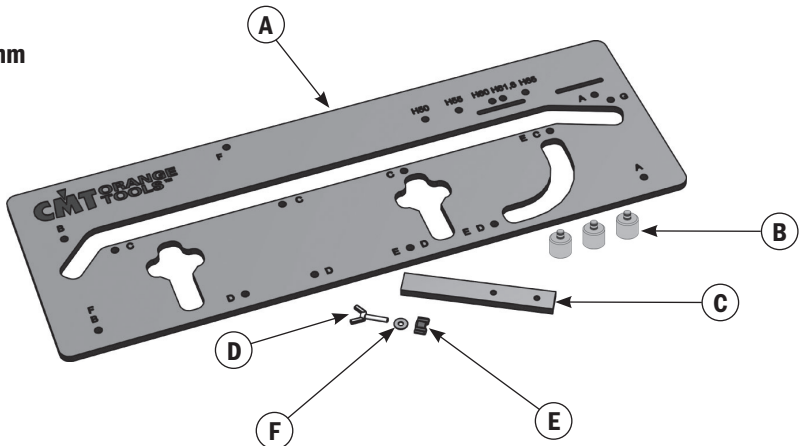
Safety glasses



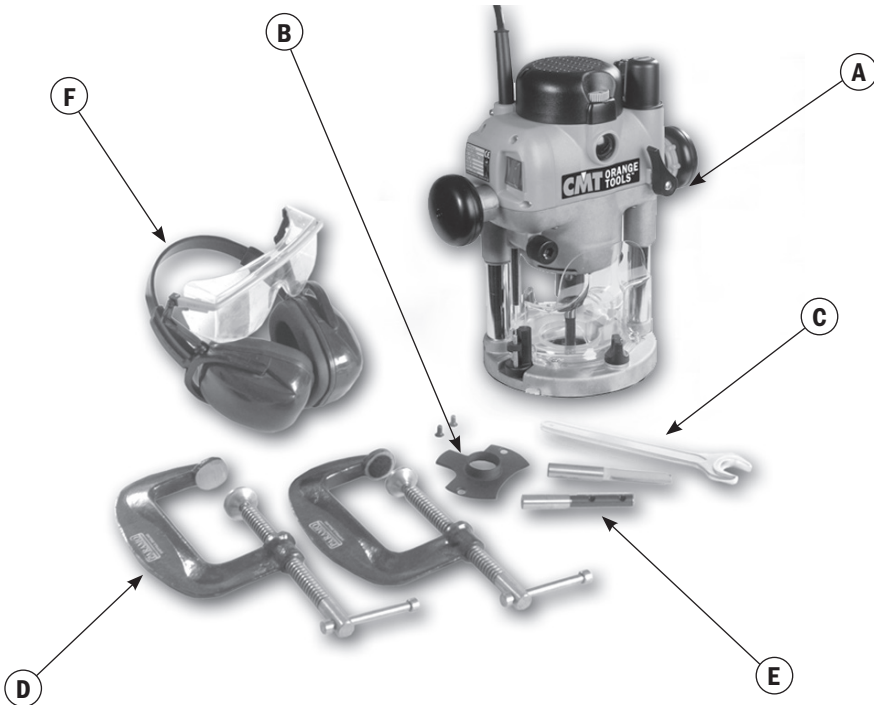
WHAT'S IN THE BOX...

MODEL NUMBER: CMT650 WORKTOP JIG	
NR. 1 A	CMT650 PHENOLIC PLASTIC WORKTOP JIG
NR. 3 B	POSITIONING PEGS FITTED WITH RUBBER O-RINGS (2 RINGS PER PEG)
NR. 1 C	PHENOLIC LENGTH STOP FINGER
NR. 1 D	M8 KNOB
NR. 1 E	M8 COUNTERSUNK BOLT
NR. 1 F	M8 WASHER
NR. 1	INSTRUCTION MANUAL

Dimensions:
880x300x10mm



- A** Heavy duty router with 12mm or 12.7mm (1/2") collet
- B** 30mm guide bush (code 899.007.00)
- C** Collet spanner and guide bush fixing screws
- D** Pair of clamps (ideally long reach with soft facings or pads to protect face of worktop)
- E** Ø12mm x 50mm (40mm for thinner worktops) router cutter (either 2 flute cutter or replaceable tip cutter).
- F** Ear protectors and safety goggles or visor



GOOD WORKING PRACTICES/SAFETY

The following suggestions will enable you to observe good working practices, keep yourself and fellow workers safe and maintain your tools and equipment in good working order.



WARNING!!!
KEEP TOOLS AND EQUIPMENT OUT OF THE REACH OF YOUNG CHILDREN.

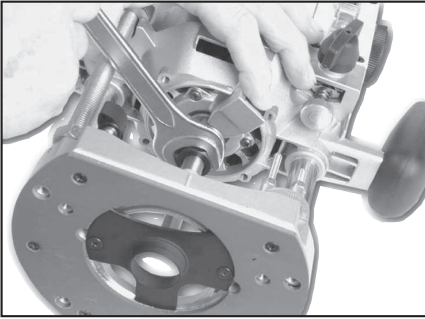
SAFETY GUIDE LINES

1. Ensure that you are conversant with using the router before attempting to use this Jig.
2. Always follow the router manufacturers guidelines and safety procedures.
3. If you have not used a worktop jig previously, make a series of trial cuts in scrap pieces of worktop to gain experience of the procedure, sequence and cutting characteristics of both the material, router and jig.
4. Always wear protective goggles and earmuffs when routing.
5. Always wear a dust mask or respirator and use dust extraction equipment whenever possible.
6. Avoid wearing loose clothing and keep long hair tied back.
7. Always remove spanners/keys from the router and do not leave them loose on the work surface or jig while routing.
8. Always switch off and wait until the router cutter has stopped rotating before lifting the router from face of the work.
9. Always clamp the worktop to a secure rigid surface while cutting.
10. Whenever possible always cut the worktop joints before cutting the tops to length.

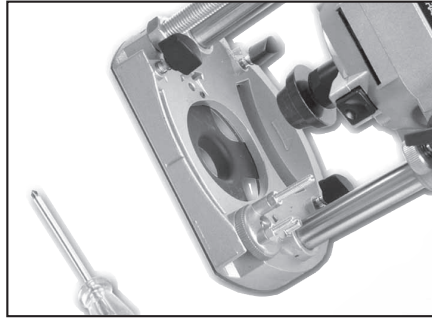
CUTTERS AND COLLETS

When cutting worktops the abrasive nature of the chipboard core and laminate faces rapidly wears the cutting edges of any cutter including tungsten carbide tipped cutters. Any cutter is unlikely to cut more than three complete worktop joints perfectly cleanly (i.e. male and female parts). Ensure that cutters are cleaned and sharpened (hand sharpened on a diamond stone) between cutting each complete joint.





Ensure that the cutter is correctly held in the router collet
(see router manufacturers instruction manual)



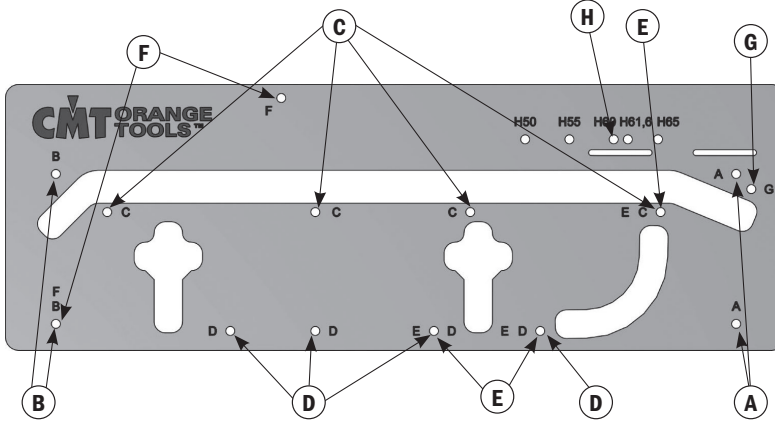
Always check that the guide bush is fitted concentric to the cutter, preferably using a centering mandrel.

CMT WORKTOP JIG CONFIGURATION...

For precise positioning on the worktop, the CMT worktop jig is fitted with three steel stops fitted into specific holes in the jig to suit each specific operation.

Each stop is fitted with two neoprene o-rings to hold it securely into the hole. If the stop is difficult to fit, apply a drop of oil or soap to the o-rings.

Ensure that the stops are pushed fully into the holes flush to the underside of the jig.

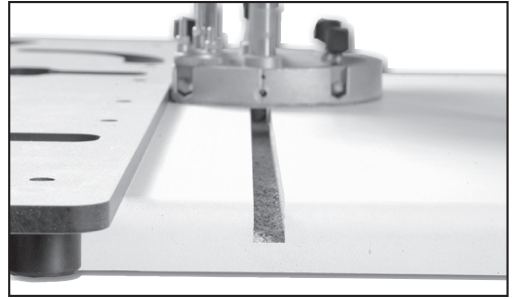


The holes for the steel stops are indicated by letters for each specific operation

- A.** 2 holes - outer part of 45° joint
- B.** 2 holes - outer part of 90° joint
- C.** 4 holes - inner part of 90° and 45° joints
- D.** 4 holes - fixing holes for clamps
- E.** 3 holes - radius finishing of corners (r8,2)
- F.** 2 holes - 45° finishing of corners
- G.** 1 hole - inner part of 45° joint
- H.** 1 hole - inner part of 90° joint (worktop 500, 550, 600, 616, 650mm only)

NOTE: The CMT jig must be used with a 30mm guide bush and a 12mm cutter fitted to the router. This allows for a cutter offset from the edge of the jig of 9 mm.

Always ensure that you are cutting from the correct face and into the postform (rounded) edge of the worktop. When cutting, the direction of rotation of the cutter (i.e. clockwise) will cut cleanly into the left hand side of the cut, but will tear the face off of the right hand side. Therefore the waste portion of the worktop must always be on the right hand side.

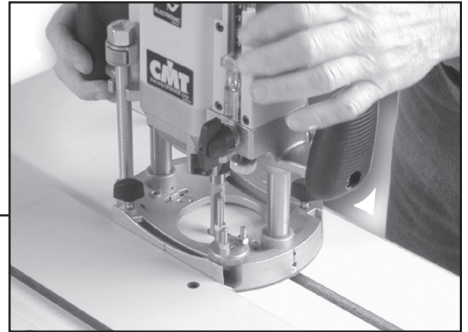
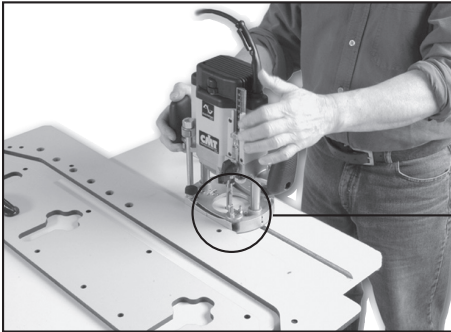


When cutting worktops to length etc, use a jigsaw to cut away much of the waste to within 3mm of the required cut line and then trim the cut edge with the router guided against the edge of the jig. This will leave a straight square edge to align the jig stops against.

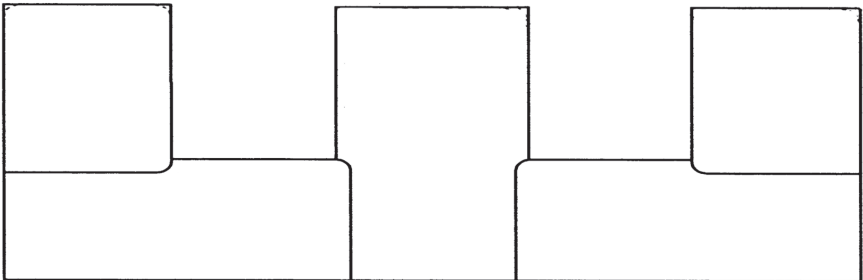
Remember always cut into the post-form edge, never out of it.

Always fit soft packing under the clamp heads when clamping against the laminate face of the worktop.

When possible always leave the worktop over-length to allow the joint to be re-cut if incorrectly cut the first time.

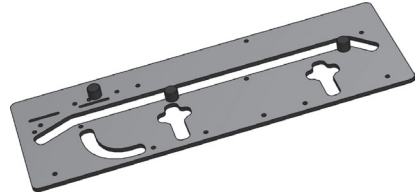


CUTTING 90 DEGREE WORKTOP JOINTS...



PLEASE NOTE!!!

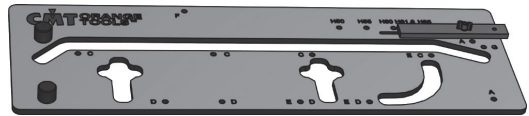
When cutting a 90-degree joint to the right hand end of the worktop, have the worktop (decorative laminate) face up. For the matching male joint turn the worktop face down. When cutting a 90-degree joint to the left hand end of the worktop, have the worktop (decorative laminate) face down. For the matching male end joint turn the worktop face up.



The first step is to set the jig to suit the width of the worktop. If it is a standard 600mm worktop, then stop position **H** can be used. If there is any discrepancy in the exact width or if the worktop is wider or narrower than this then the sliding width stop must be used.

CUTTING 90 DEGREE WORKTOP JOINTS CONTINUED...**USING THE SLIDING STOP:**

To position the sliding stop, fit it to the underside of the jig with the clamping screw, secured by the clamping knob and washer, through the respective groove.



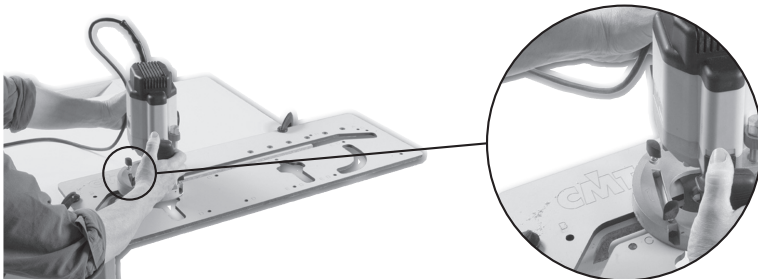
Fit two stops in holes **B**, hold these tight to the front face of the worktop, checking that the jig is square to it. Adjust the sliding stop up to the rear edge and tighten the clamp.

CUTTING THE FEMALE EDGE:

Position the stops in holes **C** on the jig (See Page 5). There is one stop that sits against the end of the worktop and two along the front face. The front stops are set in two of the four holes, the width of the worktop determining the distance apart. Ensure that all stops are tight against the worktop edges before clamping the jig to the worktop. Ensure that the clamps do not infringe the path of the router.

CUTTING:

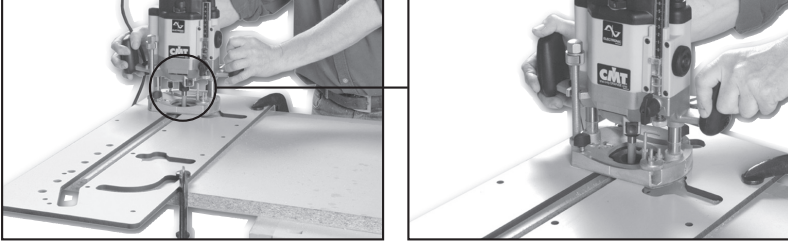
Make the cut in a series of shallow passes, the finer the cut the less effort being placed on the cutter and the easier it will be to control the router. Keep the feed speed constant and ensure that the router remains level on the face of the jig. Always work from left to right, keeping the guide bush against the edge. To finish, press the guide bush a little harder against the cut edge of the worktop and make a final fine pass across the full edge depth.



CUTTING THE MALE SECTION:

First turn and check that the worktop is the correct way up.

When cutting the male edge, leave the sliding width stop or stop **H** in position and fit two stops in the holes **B**. Position and clamp the jig across the end of the worktop, ensuring that it is square to the front edge and that the stops are tight against the end. Support the waste end of the worktop to the jig using a clamp or by supporting it on a sacrificial work-surface below (to prevent it dropping and tearing the laminate at the end of the pass). Cut the joint face following the same routing procedure as for the female cut.



COMPENSATING FOR OUT OF SQUARE WALLS:

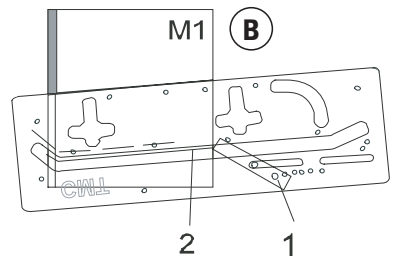
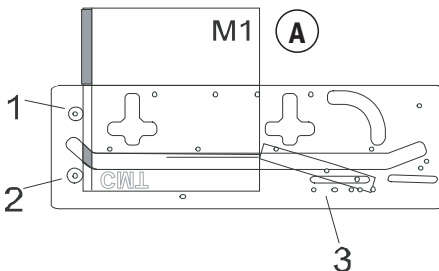
Slight variations can be accommodated with worktop jigs, but only up to approximately 3 degrees either way. However these joints will never be as precise as a true 90-degree worktop joint. The angle is always cut on the male section of worktop.

Where possible place the worktops in position with the male section over the female. If space does not allow this, use a gauge or other method to take off the angle and transfer it to the worktop. Remember which end you are cutting and turn them face up or down as necessary. Mark the inner edge of the female section on the underside of the male section. This line will be the cut line for the angled male section. Turn the male section over and mark the angled line clearly. From this line draw a line parallel to it and 9mm from it (to allow for the guide bush margin).

See Diagram A: Fit the two stops into holes **B** on the jig and, with the sliding stop loose, position the jig over the worktop with the two stops against the front edge so that it is square. Check that the stops are tight against the front edge and clamp the jig to the worktop. Draw a line 9mm parallel to the edge of the jig. Position the edge of the square sliding stop against the end of this line and tighten the clamping screw.

See Diagram B: Unclamp and remove the two front stops. Lay the jig on the cut line with the point of the sliding stop on the rear end of the angled cut line. Pivot the jig around this point until the guide edge is parallel to the angled cut line, but 9mm away from it. Clamp the jig securely to the worktop and cut the male joint following the routing procedure as before.

CUTTING OUT OF SQUARE JOINTS



To cut 45-degree corner joints on worktops, use the 22.5 mm angled end of the CMT650 jig.

As with 90-degree worktop joints, for 45-degree joints the worktop must be cut with the correct face upwards depending on whether it is a right or left-hand end or female or male joint edge.

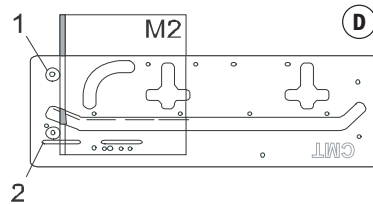
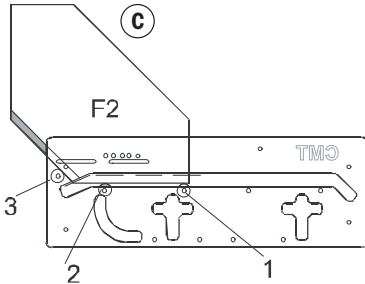
The first step when cutting 45-degree joints is to carefully set out and cut the 45-degree angle on the relative end of the worktop (leave the worktop over length if possible to allow joint to be re-cut if incorrect). When cutting worktops to length etc. use a jigsaw to cut away much of the waste to within 3mm of the required cut line and then trim the cut edge with the router guided against the edge of the jig or a straight edge. This will leave a straight square edge to align the jig stops against.

Cutting the female edge (See Fig C):

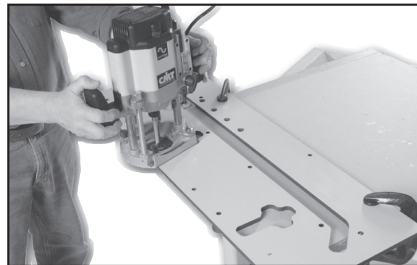
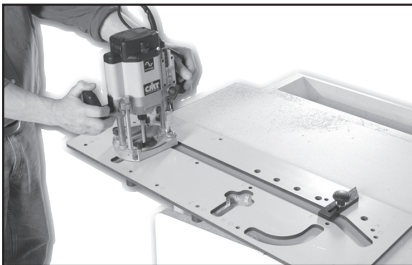
Insert two stops into holes **C** and one into hole **G**. Position the jig on the worktop with the **G** stop against the front edge and the **C** stops against the angled cut edge. Make the cut with the router following the same procedure as for 90-degree joints.

Cutting the male edge (See Fig D):

Insert the stops into holes **A**, hold them tight against the front edge of the worktop and clamp the jig firmly. Make the cut with the router following the same procedure as for 90-degree joints.



CUTTING THE WORKTOP JOINT CLAMP RECESSES...



To cut the clamp recesses, fit two stops in the jig holes **D**. The positioning of the clamps should be no less than 100mm in from the front edge of the worktop. However the spacing between them can be as on the jig or altered to suit the worktop width. Remember to match them on both adjoining sections of worktop, setting-off from the front edge by measuring or transfer batten.

Butt the stops against the joint edge and clamp it firmly. Cut the recesses to a depth so that the clamp bolt is approximately centred on the thickness of the worktop. The same 30mm guide bush and 12mm cutter is used for this operation, cutting in a series of shallow passes and taking out all of the waste from the recess.

When assembling worktop joints it is advisable to insert biscuit dowels (size No 20) to assist in aligning the worktop surfaces and prevent movement between the faces. Recesses for the biscuits can be cut with the router or a biscuit jointer between the clamp recesses inserting no less than 4 dowels along a 600mm width of worktop.

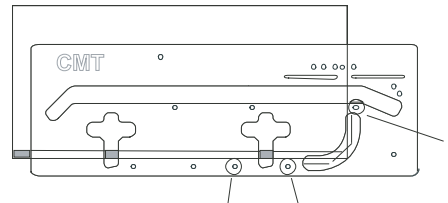
For cutting biscuit recesses with the router, use (code 822.340.11) a 4mm thick x 47.6mm slotting cutter and a 22mm diameter guide bearing (to give a 12.8mm recess (No 20 biscuit is approximately 24mm wide)). [Order no for biscuit joint cutter, arbor and bearing 822.340.11B (1/2" shank) or 822.340.11A (1/4" shank)] or 922.340.11A (shank Ø8mm) or 922.340.11B (shank Ø12mm).

The two cut chipboard faces of the joint must be sealed on assembly to prevent the ingress of water. This can be done using a fully waterproof adhesive or better, a coloured worktop sealant/adhesive. The latter are available in a range of colours that can be mixed and matched to blend with the colour of the worktop laminate. On cheaper worktops it may be found that the chipboard core spreads or breaks-out slightly on cutting. This will need to be trimmed back lightly with abrasive paper before assembly. Take care not to touch the laminate edge when doing this.

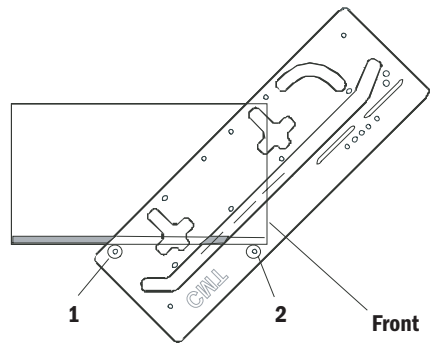
OTHER APPLICATIONS FOR THE CMT650 WORKTOP JIG...

RADIUS CORNERS AND 45-DEGREE CORNERS:

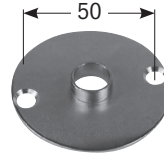
To cut radius corners on worktops and peninsular units, insert three stops into holes **E** make the cut with the router in a series of shallow passes as previously described.



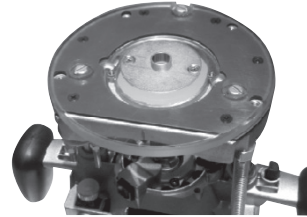
To cut 45-degree corners on worktops and peninsular units, insert two stops into holes **F** and make the cut with the router in a series of shallow passes as previously described.



- PORTABLE ROUTER
- GUIDE BUSH Ø30MM*
- HW STRAIGHT BIT Ø12MM
- TWO CLAMPS


BUSH GUIDE
*** COMBINATION ROUTERS/ACCESSORIES**

Router	Bush guide	Base Plate
CMT7E	899.007.00	CMT300-SB
CMT8E	899.007.00	CMT300-SB
NO-CMT	899.007.00	CMT300-SB1


BASE PLATE

652

912
BITS FOR THE JIG:

We recommend the use of these Ø12mm straight bits:

ORDER NO.	DESCRIPTION	SHANK
912.120.11	Ø12x31,7	S=8mm
652.120.11	Ø12x28,3	S=8mm
912.621.11	Ø12x38,1	S=12mm
912.622.11	Ø12x50,8	S=12mm
812.620.11	Ø12x31,7	S=12,7mm
812.621.11	Ø12x38,1	S=12,7mm
652.121.11	Ø12x48,3	S=12mm
652.621.11	Ø12x48,3	S=12,7mm

®: CMT, the CMT logos, CMT ORANGE TOOLS and the orange color applied to the tool surfaces are trademarks of C.M.T. Utensili S.p.A.

Any other brand names mentioned in CMT product catalogues and on the CMT website are the property of their respective owners.

© **C.M.T. UTENSILI S.p.A.**

This document is intended only for personal use.

Any other use or reproduction of the same is strictly prohibited without the written authorization of C.M.T. Utensili S.p.A.

¡¡ATENCIÓN!!
LOS SÍMBOLOS UTILIZADOS EN ESTE MANUAL LES ACONSEJAN LAS PROTECCIONES CORRECTAS A UTILIZAR DURANTE EL TRABAJO

SÍMBOLOS DE LAS PROTECCIONES



Casco de protección



Mascara antipolvo



Guantes de protección



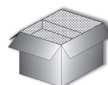
Auriculares



Botas de seguridad



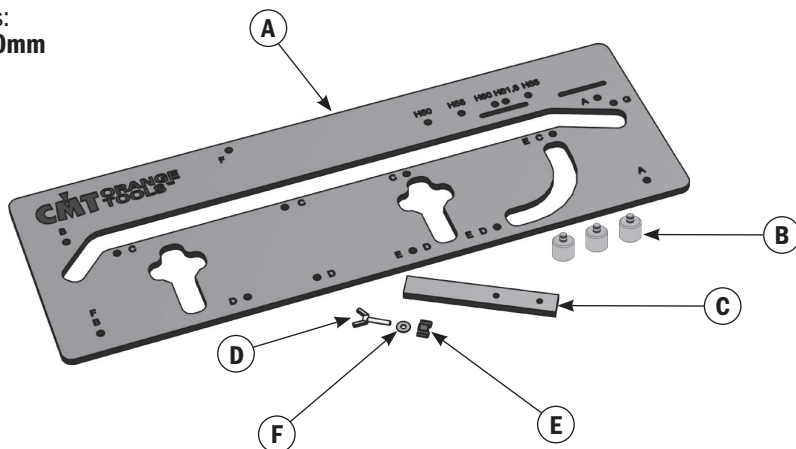
Gafas de protección



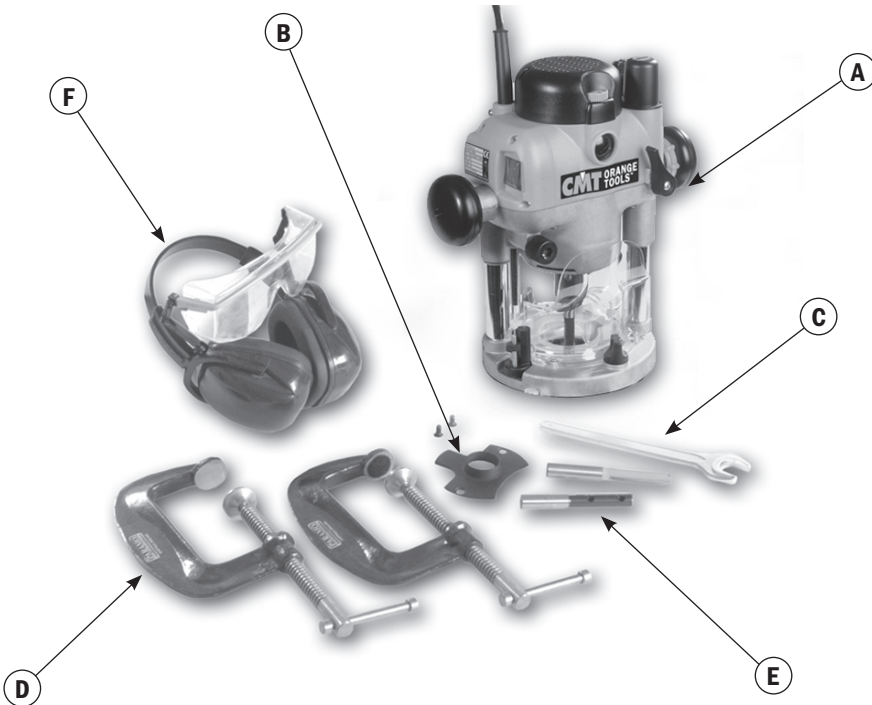
CONTENIDO DE LA CAJA:

CÓDIGO	CMT650 SISTEMA DE JUNTA PARA ENCIMERAS DE COCINA
NR. 1 A	PLANTILLA PARA ENCIMERAS DE COCINA DE FENÓLICO
NR. 3 B	PERNO DE TOPE DE METAL GALVANIZADO
NR. 1 C	PERNO DE TOPE DESLIZABLE DE FENÓLICO
NR. 1 D	TUERCA CON ARANDELA DE APRIETE DE PLÁSTICO
NR. 1 E	BULÓN M8
NR. 1 F	ARANDELA M8
NR. 1	MANUAL DE INSTRUCCIONES

Dimensiones:
880x300x10mm



- A** Electro-fresadora portátil con pinzas de 12 o 12,7 mm
- B** Camisa de guía Ø30mm (código 899.007.00)
- C** llaves y tornillos para fijación camisa de guía
- D** Dos abrazaderas (la mejor solución versión larga con revestimiento suave o cojinete de protección de la plantilla)
- E** Fresa Ø12mm x 50mm (40mm para placas más sutiles)
- F** Auriculares, gafas o viseras



¡PROCEDIMIENTOS CORRECTOS DE MECANIZACIÓN PARA VUESTRA SEGURIDAD!

Las sugerencias que les enunciarnos a continuación os permitirán respetar los procedimientos correctos de mecanización y asegurarles una seguridad total y también les ayudará a conservar las herramientas y equipos en buen estado para el próximo empleo.



¡¡ATENCIÓN!!

MANTENER LAS HERRAMIENTAS Y LOS EQUIPOS LEJOS DEL ALCANCE DE LOS NIÑOS

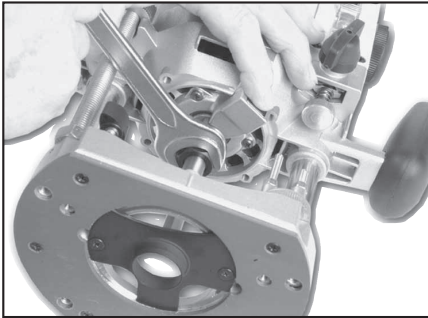
NORMAS DE SEGURIDAD

1. Asegúrese de saber usar bien la fresadora eléctrica antes de utilizar el sistema de junta para cocinas CMT650.
2. Siga siempre las instrucciones suministradas por el fabricante de la fresadora y los procedimientos de seguridad.
3. Si es la primera vez que utiliza un sistema de conexión para encimera de cocina, ejecute una serie de pruebas en piezas de descarte para adquirir mayor confianza con los procedimientos, la secuencia de los pasos y las características de los tipos de fresado, tanto de los materiales, de la fresadora como de la plantilla.
4. Use siempre los auriculares y gafas de protección durante el trabajo.
5. Use siempre una mascarilla para el polvo o un respirador y, si es posible, use aparatos para aspirar el polvo.
6. Evite usar prendas holgadas y los cabellos sueltos.
7. Quite siempre las llaves o pinzas de la fresadora y no las deje sobre el plano de trabajo o en la máscara durante el trabajo.
8. Apague siempre la fresadora y espere que haya dejado de girar antes de alzarla.
9. Fije siempre el plano a una superficie rígida y segura durante la operación de fresado.
10. Si es posible corte siempre las uniones antes de cortar la longitud definitiva.

FRESAS Y PINZAS

Cuando se realizan encimeras de cocina la naturaleza abrasiva del tablero de viruta de madera y su revestimiento desgastan rápidamente la hoja de cada fresa, incluso de aquellas que tienen pastillas de carburo de tungsteno. Es muy difícil que con una misma fresa pueda realizar más de tres encimeras de cocina sin que se astillen. Cerciórese siempre que las fresas estén limpias y afiladas (a mano o con una piedra diamantada).





Cerchiórese que la fresa esté fijada correctamente a la pinza de la fresadora.

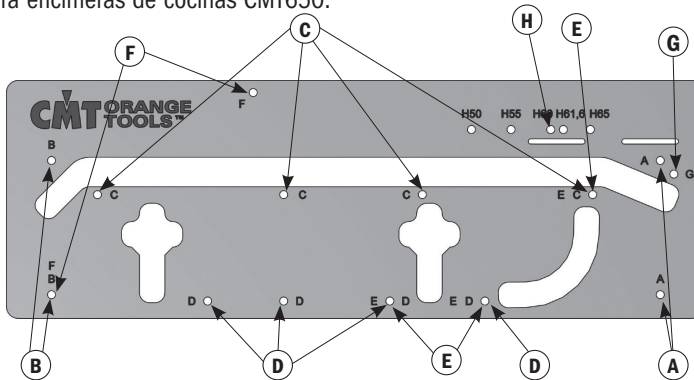
(ver el manual de instrucciones de la electrofresadora).



Controle siempre que el aro de guía esté centrado respecto a la fresa, use un perno para el centrado.

EL SISTEMA DE CONEXIÓN PARA ENCIMERAS DE COCINA CMT650

Para obtener un posicionamiento correcto en la encimera, el sistema de conexión para encimeras de cocinas CMT650 está dotado de tres pernos de tope de metal galvanizado que, ubicados en los orificios predeterminados, permiten distintas mecanizaciones. Cada perno de tope tiene dos aros de neopreno que se fijan aún más firmemente al sistema de conexión para encimeras de cocinas CMT650. Si el perno de tope se fija con dificultad aplique un poco de aceite o de jabón en los aros. Cerchiórese que el perno de tope esté bien fijado en los orificios y que no sobresalgan de la parte inferior del sistema de conexión para encimeras de cocinas CMT650.



Los orificios para los pernos de tope de metal están indicados con una letra que corresponde a una mecanización específica:

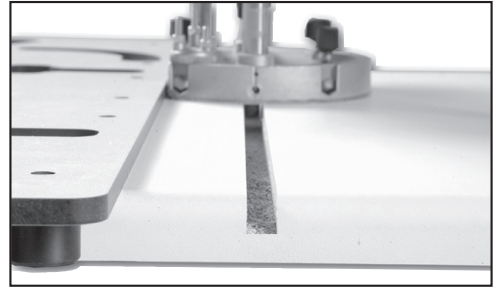
- A.** 2 orificios - parte exterior de la junta a 45°
- B.** 2 orificios - parte exterior de la junta a 90°
- C.** 4 orificios - parte interior de las juntas a 90° y 45°
- D.** 4 orificios - orificios de fijación de los tirantes
- E.** 3 orificios - acabados radiados de los ángulos (r8,2)
- F.** 2 orificios - acabados de los ángulos a 45°
- G.** 1 orificios - parte interior de la junta a 45°
- H.** 1 orificios - parte interior de la junta a 90° (solo encimeras de 500, 550, 600, 616, 650mm)

NOTAS: el sistema de conexión debe ser utilizado con una camisa de guía de 30 mm y una fresa de Ø12mm.

INSTRUCCIONES PARA LA REALIZACIÓN DE UNA CONEXIÓN

ES

Cerciórese siempre de haber fresado el lado correcto y hacia el borde redondeado de la encimera. Durante el mecanizado la herramienta que gira en sentido horario efectuará el fresado de modo preciso en la parte izquierda del corte pero melará la superficie de la parte derecha, por lo tanto, deberá siempre dejar el material de descarte a la derecha.

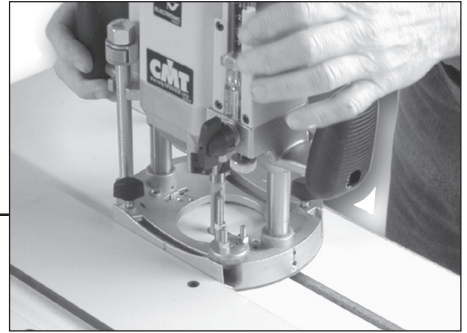
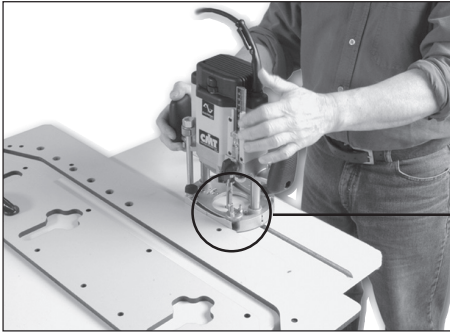


Cuando corte las placas use una sierra para eliminar la parte excedente dejando un desperdicio de 3 mm y luego acabe el borde cortado con la fresadora haciéndola desplazar a lo largo del borde del CMT650. De este modo obtendrá un borde escuadrado donde alinear los pernos de tope del sistema de conexión para encimeras de CMT650.

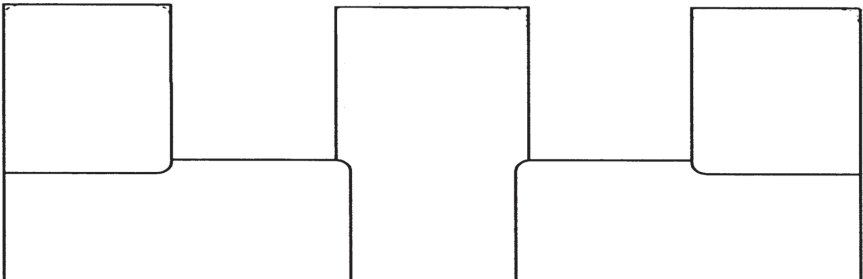
¡Recuerde fresar la parte interna del borde redondeado y nunca la parte exterior!

Cuando use abrazaderas recuerde de colocar un material blando entre la abrazadera y el lado revestido de la placa.

Si es posible, deje la encimera siempre un poco más larga para poder introducir modificaciones a la junta en el caso que se hubiera equivocado en realizar el primer corte



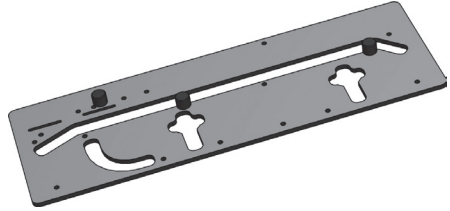
REALIZACIÓN DE UNA JUNTA A 90°



¡¡ATENCIÓN!!

Quando ejecute una junta a 90° hacia la derecha deje la parte revestida hacia arriba. Para la correspondiente junta macho, dé vuelta la encimera.

Quando ejecute una junta a 90° hacia la izquierda deje la parte revestida hacia abajo. Para la correspondiente junta macho, dé vuelta la encimera.

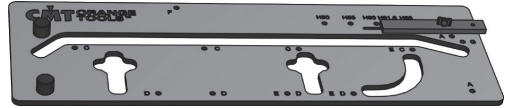


Primero posicione la plantilla para adaptarla al ancho de la encimera. Si se trata de una encimera estándar de 600 mm use los orificios H. Si existen diferencias en el ancho de la encimera o si fuera más ancha o más estrecha de 600 mm, utilice el perno de tope deslizable.

REALIZACIÓN DE UNA JUNTA A 90°

UTILIZACIÓN DEL PERNO DE TOPE DESLIZABLE

Una vez posicionado el perno de tope deslizable fíjelo por la parte inferior de la plantilla con el bulón M8 en dotación, asegurándolo con la tuerca de fijación D y la arandela F a través de los orificios abocinados.



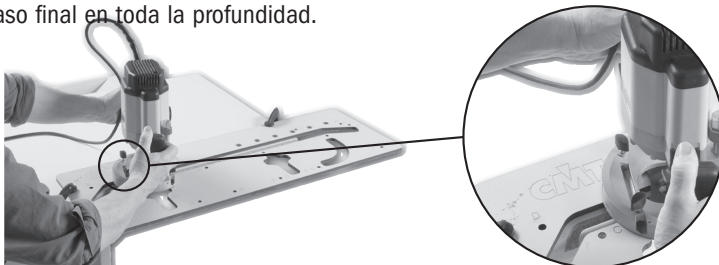
Introduzca dos pernos de tope en los orificios B, presiónelos contra la parte superior de la encimera, controlando que la plantilla esté perpendicular a la encimera. Ajuste el perno de tope deslizable hasta el borde posterior y fije la abrazadera en dotación.

CORTE DE LA JUNTA HEMBRA

Posicione los pernos de tope en los orificios C (ver página 15). Un perno de tope presionará contra el extremo de la encimera y dos de ellos a lo largo de la parte frontal. Posicione el perno de tope por delante en dos de los cuatro orificios, el ancho de la encimera determinará su distancia. Asegúrese que todos los pernos de tope estén bien adheridos a los bordes de la encimera antes de fijar la plantilla a la encimera con las abrazaderas. Éstos no deben obstaculizar los movimientos de la fresadora.

CORTE

Ejecute el corte en una serie de pequeños pasos, cuanto más sutil será el corte menor será la presión ejercida en la fresadora eléctrica que podrá ser controlada más fácilmente. Mantenga una velocidad constante y cerciórese que la fresadora permanezca perpendicular a la plantilla y siempre en contacto con la misma. Efectúe siempre el fresado de izquierda a derecha manteniendo la camisa de guía pegada al borde. Por último, empuje la fresadora con más fuerza hacia el borde cortado y ejecute el paso final en toda la profundidad.



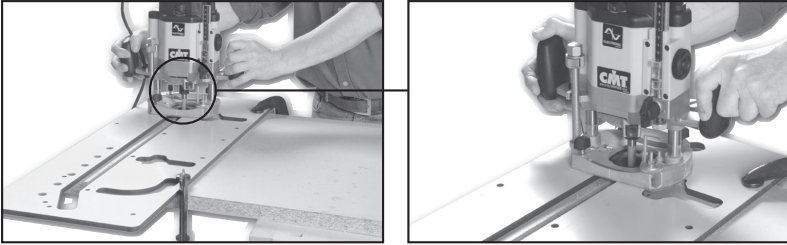
REALIZACIÓN DE UNA JUNTA A 90°

ES

CORTE DE LA JUNTA MACHO

Primero dé vuelta la encimera y controle que esté en la posición justa. Cuando corte el macho, deje el perno de tope deslizante o el perno de tope H donde se encuentra e introduzca dos pernos de tope en los orificios B.

Posicione y fije la plantilla en el extremo de la encimera, cerciorándose que esté perpendicular al borde de adelante y que los pernos de tope estén bien adheridos al extremo. Sostenga la parte de descarte de la placa usando una abrazadera o con otro plano de trabajo para evitar que, cayendo, arruine la parte revestida. Frese esta pieza exactamente como ha hecho con la parte hembra.



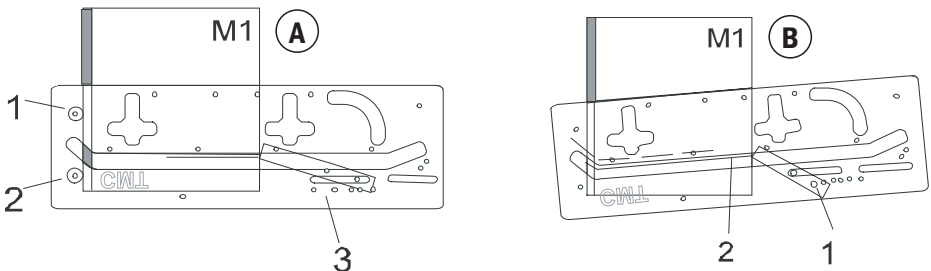
COMPENSACIÓN PARA BORDES NO ESCUADRADOS.

Con el CMT650 puede efectuar pequeñas correcciones hasta un máximo de 3°. Estas uniones, naturalmente, nunca serán tan precisas como aquellas a 90°. La compensación deberá ejecutarse siempre en la junta macho. Si es posible posicione el macho sobre la hembra, si no tiene bastante espacio para hacerlo, use un calibre cónico u otro método para calcular el ángulo y reproducirlo en la encimera. Controle cual parte va a fresar y posicione la encimera de consecuencia. Marque en la parte de atrás del macho el borde interno de la parte hembra, esta línea marcará la línea de corte del ángulo del macho. Dé vuelta el macho y marque bien la línea.

Figura A: Introduzca dos pernos de tope en los orificios B y, utilizando el perno de tope deslizante, posicione la plantilla sobre la encimera con los dos pernos de tope contra el borde anterior para que estén perpendiculares. Controle que los pernos de tope estén bien adheridos al borde anterior y fije la plantilla con abrazaderas a la encimera. Posicione la parte puntiaguda del perno de tope deslizante contra la parte final de esta línea y fije las abrazaderas.

Figura B: Quite los dos pernos de tope anteriores. Posicione la plantilla sobre la línea de corte con la punta del perno de tope deslizante en la parte final de la línea de corte del ángulo. Dé vuelta a la plantilla haciendo perno sobre este punto hasta que el borde de la guía esté paralelo a la línea de corte de ángulo. Fije firmemente la plantilla a la encimera y corte la junta macho siguiendo el mismo procedimiento ilustrado anteriormente.

REALIZACIÓN DE UNA JUNTA DE ÁNGULO RECTO



Para realizar una junta a 45° sobre una encimera, use la parte curva de 22.5 mm del CMT650.

Igual que para las juntas a 90°, para las de 45° la encimera debe ser cortada con el justo lado hacia arriba, dependiendo que la encimera deba estar a la derecha o a la izquierda o sea macho o hembra.

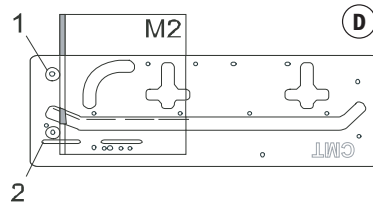
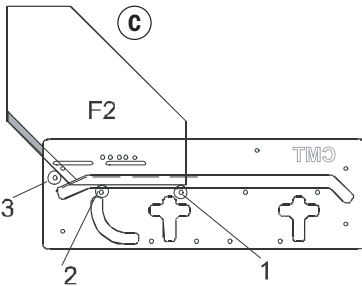
La primera cosa que se debe hacer es decidir y cortar el ángulo a 45° (si es posible deje un desperdicio para poder luego fresar de nuevo si la junta fuera incorrecta). Cuando corte la longitud de la encimera use una sierra para eliminar la mayor parte del material excedente hasta 3 mm de la línea de corte establecida, luego acabe el borde con una fresadora contra el borde de la plantilla o un borde recto. De este modo obtendrá un borde recto contra el cual alinear los stop.

Corte de la junta hembra (Ver fig. C)

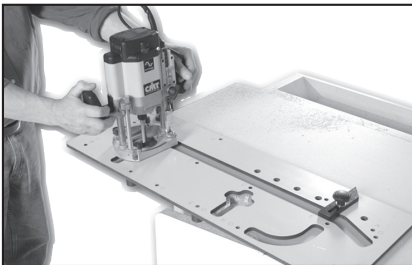
Introduzca dos pernos de centrado en los orificios C y uno en el orificio G. Posicione la plantilla sobre la encimera con el perno de tope C contra el borde anterior y los perno de tope C contra el borde cortado en ángulo. Corte con la fresadora siguiendo el mismo procedimiento explicado para la junta a 90°.

Corte de la junta macho (Ver Fig. D).

Introduzca los pernos de tope en los orificios A, manténgalos presionados firmemente contra el borde anterior de la encimera y fije bien la plantilla con las abrazaderas. Corte con la fresadora siguiendo el mismo procedimiento explicado para la junta a 90°.



REALIZACIÓN DE LOS ASIENTOS



Para realizar los asientos para los tirantes introduzca dos pernos de tope en los orificios D. Su posicionamiento debe distar por lo menos 100 mm del borde anterior de la encimera. La distancia entre los dos asientos puede ser la misma predefinida por la plantilla o variarla para que se adapte al ancho de la encimera. Recuerde de hacerla coincidir en ambas secciones de la junta, partiendo del borde anterior ejecutando una medición o utilizando un listón.

Haga adherir firmemente los pernos de tope al borde de la junta y fíjelos con las abrazaderas. Frese los asientos para que el bulón de la abrazadera esté en el centro de la profundidad de la encimera. Para esta operación utilice siempre la misma fresa de 12 mm y el mismo anillo de guía de 30 mm, frese siempre ejecutando varios pasajes eliminando todos los recortes de los asientos.

Durante el ensamblado de la unión le aconsejamos de introducir galletas (medida 20) para ayudarle a alinear las superficies de la encimera y evitar movimientos entre las encimeras. Los asientos para los galletas pueden fresarse con la fresadora o con una fresa para las juntas de galleta entre los asientos, para las abrazaderas introduzca por lo menos 4 galletas en una encimera de 600 mm de largo.

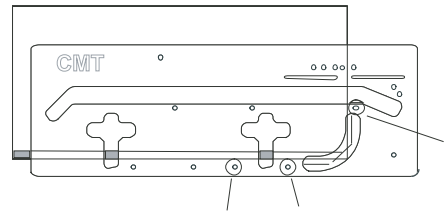
Para cortar un asiento para un galleta con la fresadora, utilice un mandril portafresas, el código 822.340.11, una fresa de disco de 4mm de espesor y 47.6 mm de largo y un cojinete de guía de 22 mm para obtener un asiento de 12.8 mm (el galleta medida 20 tiene aproximadamente 24 mm de largo). Fresa para juntas de galleta, mandril portafresas, y cojinete código 922.340.11B (mango 12mm) 822.340.11B (mango 12,7mm) o 922.340.11A (mango 8mm) 822.340.11A (mango 6,35mm).

El punto de unión de los lados cortados de la junta debe sellarse para evitar que penetre el agua en el interior. Para ello puede utilizar un adhesivo impermeable o un sellante adhesivo para encimeras de color. Este último viene en una gama de colores que pueden mezclarse entre sí para adaptarse al color del acabado de vuestra encimera. Si trabaja con encimeras económicas podría ocurrir que el tablero de virutas se divida o se astille durante el corte. Deberá lijarlo levemente antes del ensamblaje. Tenga cuidado de no lijar el revestimiento.

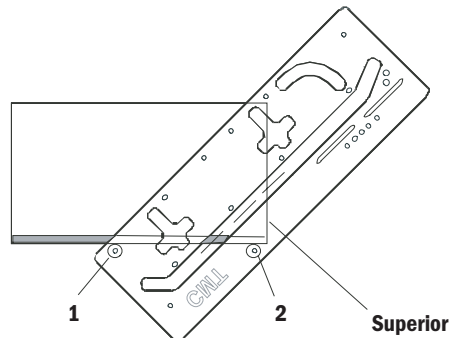
OTROS EMPLEOS DEL CMT650

ÁNGULOS A 45° Y PARTES RADIADAS

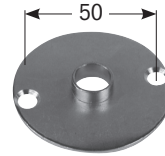
Para ejecutar una parte radiada sobre una encimera o una península, introduzca tres pernos de tope en los orificios E y ejecute el corte con la fresadora efectuando varios pasajes como ha sido descrito anteriormente.



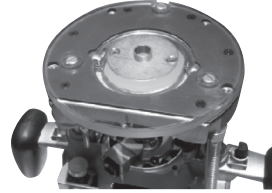
Para ejecutar un ángulo a 45° en las partes de una encimera o de una península introduzca dos stop en los orificios F y ejecute el corte con la fresadora efectuando varios pasajes como se describió anteriormente.



- ELECTROFRESADORA
- GUÍA Ø30MM*
- FRESA DE CORTE RECTO Ø12MM
- DOS GATOS DE APRIETE

**GUÍA DE PRECISIÓN***** COMBINACIÓN FRESADORAS/ACCESORIOS:**

Fresadora	Guía de precisión	Placa para fresadora
CMT7E	899.007.00	CMT300-SB
CMT8E	899.007.00	CMT300-SB
NO-CMT	899.007.00	CMT300-SB1

**PLACA PARA FRESADORA****652****912**

Se recomienda el uso de fresas de corte recto Ø12mm:

CÓDIGO	DESCRIPCIÓN	MANGO
912.120.11	Ø12x31,7	S=8mm
652.120.11	Ø12x28,3	S=8mm
912.621.11	Ø12x38,1	S=12mm
912.622.11	Ø12x50,8	S=12mm
812.620.11	Ø12x31,7	S=12,7mm
812.621.11	Ø12x38,1	S=12,7mm
652.121.11	Ø12x48,3	S=12mm
652.621.11	Ø12x48,3	S=12,7mm

®: CMT, el logotipo CMT y el color anaranjado del revestimiento de la superficie de las herramientas son marcas registradas de C.M.T. UTENSILI S.p.A. Cualquier otra marca es propiedad de su respectivo fabricante.

© C.M.T. UTENSILI S.P.A.

Este documento ha sido enviado para uso personal.

Se prohíbe cualquier uso diferente y/o reproducción sin previa autorización escrita de C.M.T. UTENSILI S.p.A.

ATTENTION!!
LES SYMBOLES UTILISÉS DANS CE MANUEL VOUS CONSEILLENT LES PROTECTIONS À UTILISER DURANT LE TRAVAIL.

FR

SYMBOLES DES PROTECTIONS



Casque de protection



Masque contre la poussière



Gants de protection



Casque antibruit



Chaussure contre les accidents



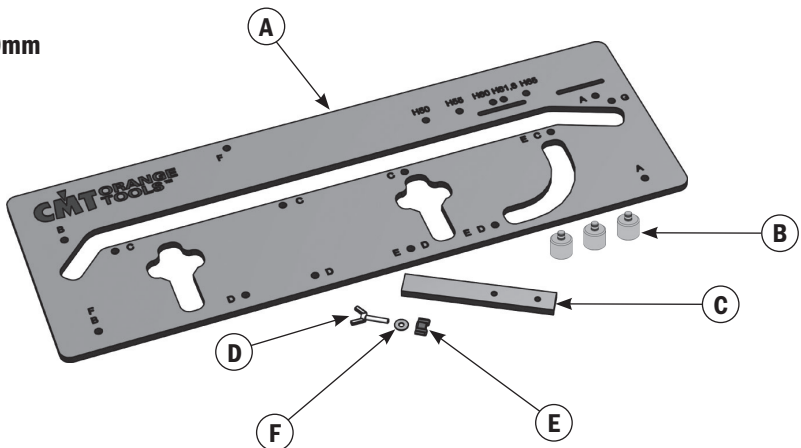
lunettes de protection



CONTENU DE LA BOÎTE

CODE:	CMT650 SYSTÈME DE JONCTION POUR LES PLANS DE CUISINE
NR. 1 A	GABARIT POUR LES PLANS DE CUISINE EN PHÉNOLIQUE
NR. 3 B	GOUJON DE BUTÉE EN MÉTAL GALVANISÉ
NR. 1 C	GOUJON DE BUTÉE COULISSANT EN PHÉNOLIQUE
NR. 1 D	ECROU AVEC RONDELLE DE SERRAGE EN PLASTIQUE
NR. 1 E	BOULON M8
NR. 1 F	RONDELLE M8
NR. 1	MANUEL D'INSTRUCTIONS

Dimensions:
880x300x10mm



- A** Fraiseuse électrique portable avec des pinces de 12 ou 12,7mm
- B** Ogive de guidage Ø30mm (code 899.007.00)
- C** Clés et vis pour fixation de l'ogive de guidage
- D** Deux étaux (version longue avec revêtement souple ou coussinet de protection du gabarit représentent la meilleure solution)
- E** Fraise Ø12mm x 50mm (40mm pour plans plus fins)
- F** Casque, lunettes ou visière



PROCÉDURES CORRECTES D'USINAGE POUR VOTRE SÉCURITÉ!

Les suggestions ci-après vous permettront de respecter les procédures d'usinage correctes et de vous assurer ainsi qu'à vos collaborateurs une sécurité totale, et de conserver les outils et les équipements en bon état pour une prochaine utilisation.

**FR**

ATTENTION!!

TENIR LES OUTILS ET LES ÉQUIPEMENTS HORS DE PORTÉE DES ENFANTS

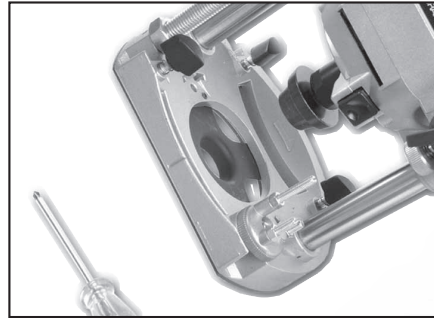
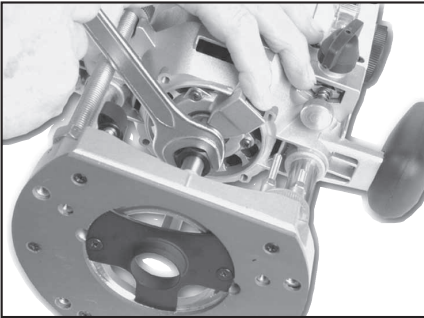
NORMES DE SÉCURITÉ

1. Assurez-vous de bien savoir utiliser la fraiseuse électrique avant d'utiliser le système de jonction pour cuisine CMT650.
2. Suivez toujours les instructions fournies par le fabricant de la fraiseuse électrique et les procédures de sécurité.
3. Si vous utilisez un système de jonction pour plans de cuisine pour la première fois, effectuez une série de coupages d'essai sur des rebuts pour apprendre les procédures, la séquence des pas sages et les caractéristiques des types de fraisage, tant des matériaux, que la fraiseuse électrique et que du calibre.
4. Portez toujours un casque et des lunettes de protection durant le travail.
5. Portez toujours un demi-masque pour la poussière ou un respirateur et, si possible, utilisez des appareils pour ramasser la poussière.
6. Évitez de porter des vêtements larges et attachez vos cheveux.
7. Enlevez toujours les clefs ou les pinces de la fraiseuse électrique et ne les laissez pas sur le plan de travail ou sur le masque durant le travail.
8. Eteignez toujours la fraiseuse électrique et attendez toujours qu'elle ait cessé de tourner avant de la soulever.
9. Fixez toujours le plan à une surface rigide et sûre durant le fraisage.
10. Si possible coupez toujours les jonctions avant de couper la longueur définitive.

FRAISES ET PINCES

Quand on réalise des plans de cuisine, la nature abrasive de l'aggloméré et son revêtement usent rapidement le tranchant de toute fraise, y compris celles comportant des pièces rapportées en carbure de tungstène. Avec la même fraise vous pourrez difficilement réaliser plus de trois plans de cuisine sans ébréchures. Assurez-vous que les fraises sont toujours propres et affilées (à la main ou avec une pierre diamantée).





Assurez-vous que la fraise est correctement fixée à la pince de la fraiseuse électrique

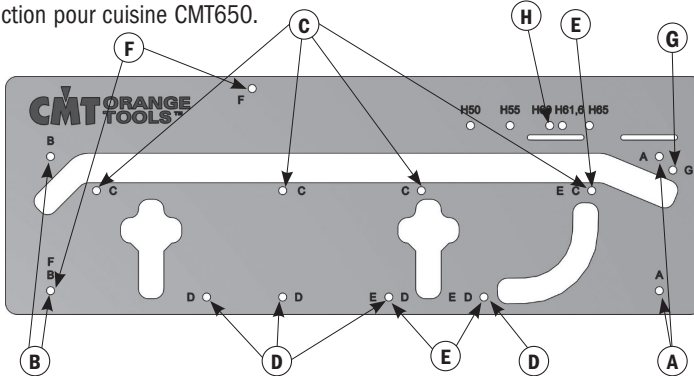
(cf. le Manuel d'instructions de la fraiseuse électrique)

Contrôlez toujours que la bague de guidage est toujours centrée par rapport à la fraise, utilisez un goujon pour le centrage.

LE SYSTÈME DE JONCTION POUR CUISINE CMT650

Pour obtenir un positionnement correct sur le top, le système de jonction pour cuisine CMT650 est doté de trois goujons de butée en métal zingué qui, positionnés dans des trous déterminés, permettent les différents usinages. Chaque goujon de butée a deux bagues en néoprène pour pouvoir être fixé encore plus solidement au système de jonctions pour cuisine CMT650. Si le goujon de butée se fixe avec difficulté, appliquez un peu d'huile ou de savon sur les bagues.

Assurez-vous que le goujon de butée est bien fixé dans les trous et qu'il sorte de la partie inférieure du système de jonction pour cuisine CMT650.



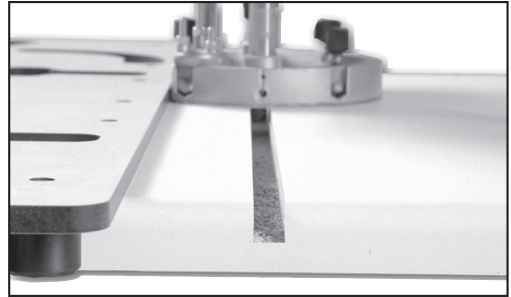
Les trous pour les goujons de butée en métal sont indiqués par des lettres correspondantes à chaque usinage spécifique:

- A.** 2 trous - partie externe de la jonction à 45°
- B.** 2 trous - partie externe de la jonction à 90°
- C.** 4 trous - partie interne des jonctions à 90° et 45°
- D.** 4 trous - trous de fixation des tirants
- E.** 3 trous - finitions rayonnées des angles (r8,2)
- F.** 2 trous - finitions des angles à 45°
- G.** 1 trou - partie interne de la jonction à 45°
- H.** 1 trou - partie interne de la jonction à 90° (seulement plans de 500, 550, 600, 616, 650mm)

REMARQUES: le système de jonction doit être utilisé avec une bague de guidage de 30mm et une fraise de Ø12mm.

FR

Assurez-vous toujours de fraiser le côté correct et vers le chant arrondi du plan. Durant l'usinage, l'outil qui tourne dans le sens des aiguilles d'une montre fraisera précisément la partie gauche de la coupe, mais ébrèchera la surface de la partie droite, vous devez donc toujours laisser l'écart à droite.

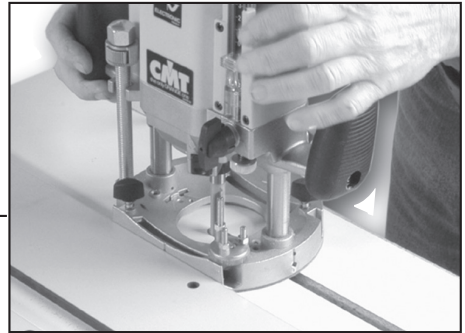
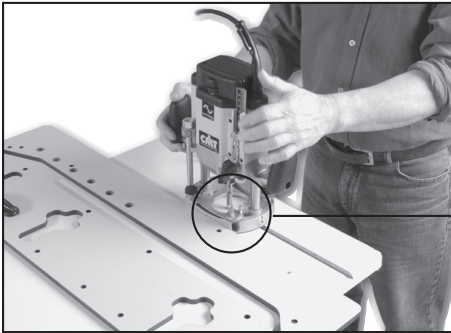


Quand vous coupez les plans utilisez une lame pour éliminer la partie en excès en laissant un écart de 3mm et finissez ensuite le chant coupé avec la fraiseuse électrique en la laissant glisser le long du chant CMT650. De cette façon vous obtiendrez un chant carré sur lequel aligner les goujons de butée du système de jonction pour cuisine CMT650.

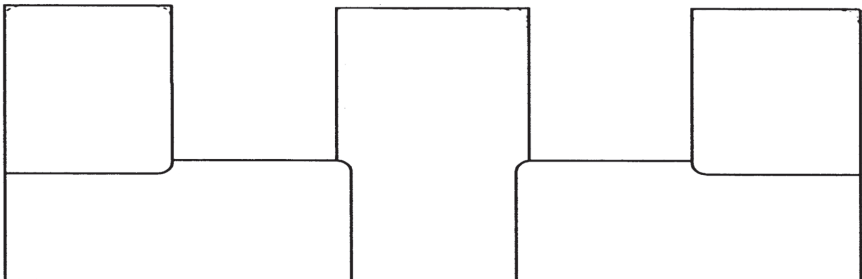
N'oubliez pas de fraiser à l'intérieur du chant arrondi et jamais en dehors.

Quand vous utilisez des étaux n'oubliez pas de disposer du matériau souple entre l'étau et le côté revêtu du plan.

Si possible, laissez toujours le plan un peu plus long de façon à pouvoir apporter des modifications à la jonction au cas où le premier coupage résulterait erroné.



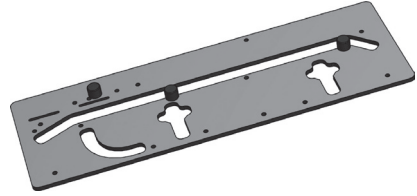
RÉALISATION D'UNE JONCTION À 90°



ATTENTION!!

Quand vous exécutez une jonction à 90° vers la droite laissez la partie revêtue vers le haut. Pour la jonction mâle correspondante renversez le plan.

Quand vous exécutez une jonction à 90° vers la gauche conservez la partie revêtue vers le bas. Pour la jonction mâle correspondante renversez le plan.

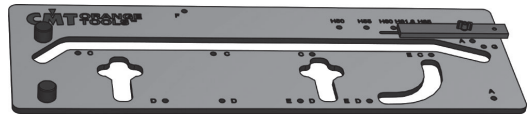


FR

Positionnez en premier le calibre de façon à l'adapter à la largeur du top. S'il s'agit du plan standard de 600mm utilisez les trous H. S'il existe des différences dans la largeur du top ou s'il est plus long ou plus étroit que 600mm utiliser le goujon de butée coulissant.

UTILISATION DU STOP COULISSANT

Après avoir placé le goujon de butée coulissant fixez-le à partir de la partie inférieure du système de jonction pour cuisine CMT650 avec le boulon M8 qui est fourni, en l'assurant avec l'écrou de serrage D et la rondelle F à travers les trous évasés.



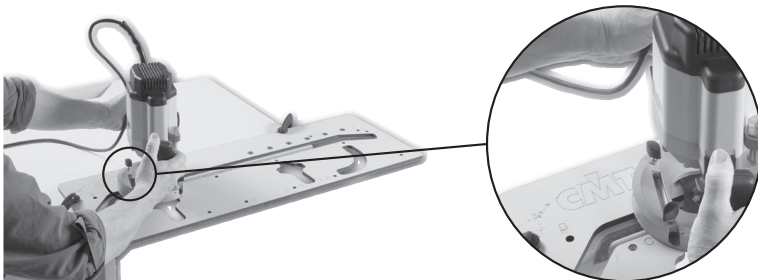
Insérez deux goujons de butée dans les trous B, pressez-les contre la partie supérieure du plan, en contrôlant que le système de jonction pour cuisine CMT650 est perpendiculaire au plan. Réglez le goujon de butée coulissant jusqu'au chant postérieur et fixez l'étau fourni.

COUPAGE DE LA JONCTION FEMELLE

Positionnez le stop dans le trou C (voir page 25). Un goujon de butée pressera contre l'extrémité du plan et deux goujons, le long de la partie. Positionnez le goujon de butée devant dans deux des quatre trous, la largeur du plan en déterminera la distance. Assurez-vous que tous les goujons de butée adhèrent bien aux chants du plan avant de fixer le calibre au top avec les étaux. Faites en sorte que ces derniers ne gênent pas les mouvements de la fraiseuse électrique.

COUPAGE

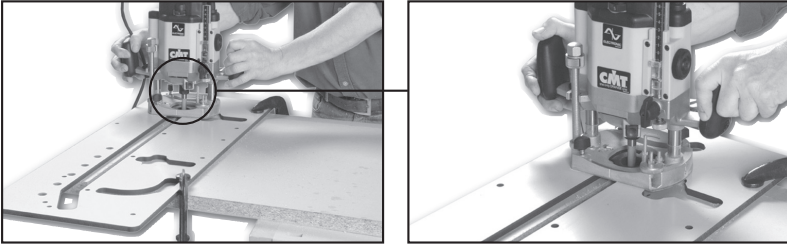
Effectuez le coupage dans une série de petits passages, plus fin est le coupage, plus la pression exercée par la fraiseuse électrique sera légère, et cette dernière sera donc plus facile à contrôler. Maintenir une vitesse constante et assurez-vous que la fraiseuse électrique demeure perpendiculaire au calibre et reste toujours en contact avec elle. Fraisez toujours de gauche à droite, en maintenant la bague de guidage contre le chant. Poussez enfin plus fortement la fraiseuse électrique vers le chant coupé et effectuez le passage final sur toute la profondeur.



COUPAGE DE LA JONCTION MÂLE

FR

En premier lieu faire pivoter le plan et contrôlez qu'il est dans la bonne position. Quand vous coupez le mâle, laissez le goujon de butée coulissant ou le goujon de butée H où il se trouve et insérez deux goujons de butée dans les trous B. Positionnez et fixez le système de jonction pour cuisine CMT650 à l'extrémité du plan, en vous assurant qu'il est perpendiculaire au chant situé devant et que les goujons de butée adhèrent bien à l'extrémité. Soutenez la partie d'écart du plan en utilisant un étau ou avec un autre plan de travail, de façon à éviter qu'il puisse endommager le laminé en tombant. Fraisez cette pièce exactement comme vous l'avez fait pour la femelle.



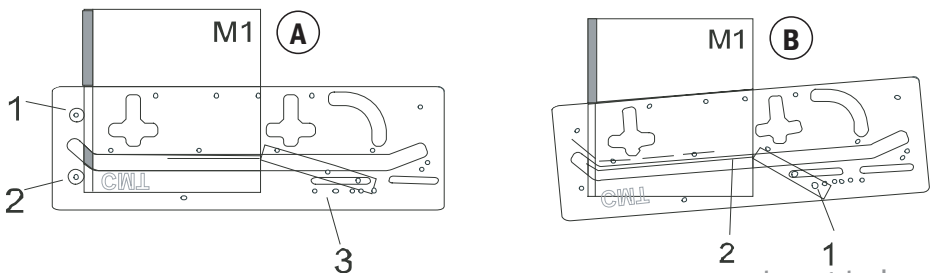
COMPENSATION POUR CHANTS HORS ÉQUERRE

Avec le CMT650 vous pouvez effectuer de petites corrections jusqu'à un max. d'environ +3°. Ces jonctions, naturellement, ne seront jamais précises comme celles à 90°. La compensation sera toujours exécutée sur la jonction mâle. Si possible positionnez le mâle sur la femelle, si vous n'avez pas assez d'espace pour le faire, utilisez un calibre conique ou une autre méthode pour calculer l'angle et le reproduire sur le plan. Faites attention à la partie que vous devez fraiser et ensuite positionnez le top. Marquez sur le dos du mâle le chant interne de la femelle, cette ligne marquera la ligne de coupage de l'angle du mâle. Tourner le mâle et marquez correctement la ligne.

Figure A: Insérez deux goujons de butée dans les trous B et, en utilisant le goujon de butée coulissant, positionnez le système de jonction pour cuisine CMT650 sur le top avec les deux goujons de butée contre le chant antérieur de façon qu'ils soient perpendiculaires. Contrôlez que les goujons de butée adhèrent au chant antérieur et fixez le système de jonction pour cuisine CMT650 avec des étaux au top. Positionnez la partie pointue du goujon de butée coulissant contre la fin de cette ligne et fixez les étaux.

Figure B: enlevez les deux goujons de butée antérieurs. Positionnez le système de jonction pour cuisine CMT650 sur la ligne de coupage avec la pointe du goujon de butée coulissant sur la partie finale de la ligne de coupage de l'angle. Tourner le système de jonction pour cuisine CMT650 en pivotant sur ce point jusqu'à ce que le chant du guide soit parallèle à la ligne de coupage en angle. Fixez solidement le système de jonction pour cuisine CMT650 au top et coupez la jonction mâle en suivant la même procédure exposée ci-dessus.

RÉALISATION D'UNE JONCTION EN ANGLE DROIT



Pour réaliser une jonction à 45° sur un top, utilisez la partie courbée de 22.5 mm du CMT650. Comme pour les jonctions à 90°, pour celles à 45° le top doit être coupé avec le bon côté vers le haut, selon que le plan doit rester à droite ou à gauche ou qu'il soit mâle ou femelle.

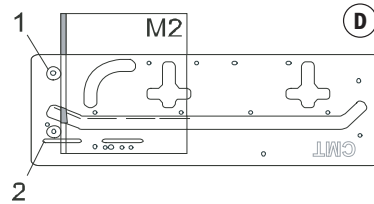
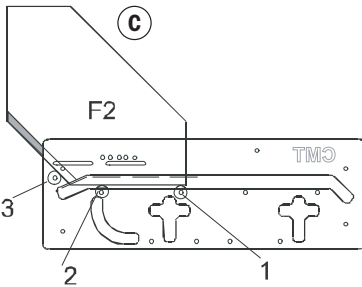
La première chose à faire est de décider et de couper l'angle à 45° (si possible laisser un écart pour pouvoir fraiser ensuite de nouveau si la jonction n'est pas correcte). Quand vous coupez la longueur du top utilisez une scie pour éliminer une grande partie du matériau en excès jusqu'à 3 mm de la ligne de coupage fixée, puis finir le chant avec une fraiseuse électrique avec le chant du calibre ou un chant de toute façon droit. De cette façon vous obtiendrez un chant droit contre lequel aligner les stops.

Coupage de la jonction femelle (Voir fig. C)

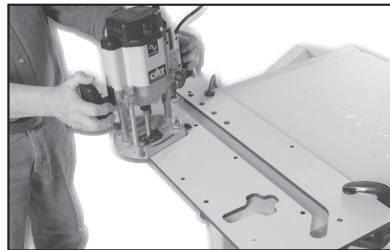
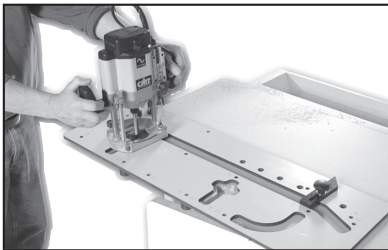
Insérez deux goujons de centrage dans les trous C et un goujon dans le trou G. Positionnez le système de jonction pour cuisine CMT650 sur le top avec le stop G contre le chant antérieur et les goujons de butée C contre le chant coupé en angle. Coupez avec la fraiseuse électrique en suivant la même procédure que la jonction en 90°.

Coupage de la jonction mâle (Voir fig.D)

Insérez les goujons de butée dans les trous A, tenez-les pressés contre le chant antérieur du top et fixez correctement le système de jonction pour cuisine CMT650 avec les étaux. Coupez la fraiseuse électrique en suivant la même procédure de la jonction à 90°.



RÉALISATION DES EMPLACEMENTS



Pour réaliser les emplacements pour les tirants insérez deux goujons de butée dans les trous D. Leur positionnement doit être situé au moins à 100 mm du chant antérieur du top. La distance entre les deux emplacements peut être la même que celle préétablie par le système de jonction pour cuisine CMT650 ou elle peut varier pour s'adapter à la largeur du top. Ne pas oublier de les faire correspondre sur les deux sections de la jonction, en partant du chant antérieur au moyen du mesurage ou en utilisant une baguette.

Faire bien adhérer les goujons de butée au chant de la jonction et les fixer avec des étaux. Fraisez les emplacements de façon que le boulon de l'étau soit au centre de la profondeur du top. Pour cette opération utilisez toujours la même fraise 12mm et la même bague de guidage de 30mm, fraisez toujours en plusieurs passages en éliminant tous les résidus des emplacements.

Durant l'assemblage de la jonction nous conseillons d'insérer des biscuits (mesure 20) pour vous aider à aligner les surfaces des tops et à éviter des mouvements entre les plans. Les emplacements pour les biscuits peuvent être fraisés avec la fraiseuse électrique ou avec une fraise pour les jonctions en biscuit. Entre les emplacements pour les étaux insérés non moins de 4 biscuits dans un plan de 600 mm de longueur.

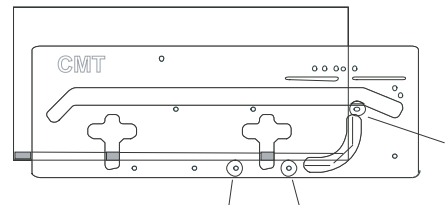
Pour couper un emplacement pour un biscuit avec la fraiseuse électrique, utilisez un arbre, le code 822.340.11, une fraise à disque de 4mm épaisseur et de 47.6mm de longueur et un palier de guidage de 22mm pour obtenir un emplacement de 12.8mm (le biscuit mesure 20 et a environ 24mm de largeur). Fraise pour jonctions en biscuit, arbre, et palier code 922.340.11B (fixation 12mm) 822.340.11B (fixation 12,7mm) ou 922.340.11A (fixation 8mm) 822.340.11A (fixation 6,35mm).

Le point de jonction des deux côtés coupés de la jonction doit être scellée pour éviter que l'eau pénètre à l'intérieur. Pour cela vous pouvez utiliser un adhésif résistant à l'eau ou mieux un mastic adhésif pour top coloré. Ce dernier peut être acheté dans une gamme de couleurs qui peuvent être mélangées pour s'adapter à la couleur de la finition de votre top. Si vous travaillez avec des tops économiques, l'aggloméré pourrait s'exfolier ou s'ébrécher durant le coupage. Vous devrez donc le passer légèrement au papier de verre avant l'assemblage. Faites très attention à ne pas passer même le revêtement au papier de verre.

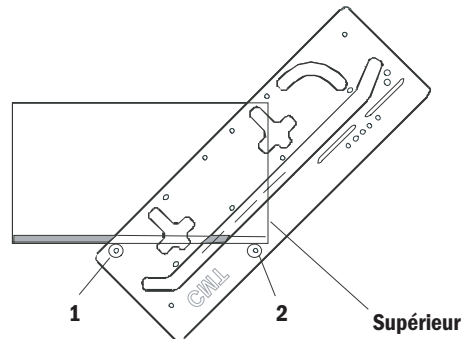
AUTRES UTILISATIONS DU CMT650

ANGLES À 45° ET PARTIES RAYONNÉES

Pour effectuer une partie rayonnée sur un top ou une table d'ajout, insérez trois goujons de butée dans les trous E et coupez avec la fraiseuse électrique dans plusieurs passages comme décrit ci-dessus.

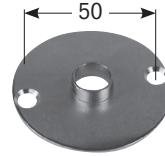


Pour effectuer un angle à 45° sur les parties d'un top ou sur une table d'ajout, insérez deux stops dans les trous F et effectuez le coupage avec la fraiseuse électrique dans plusieurs passages, comme décrit ci-dessus.



- DÉFONCEUSE
- GUIDE DE Ø30MM*
- FRAISE À COUPE DROITE Ø12MM
- DEUX BRIDES

OPTIONNEL

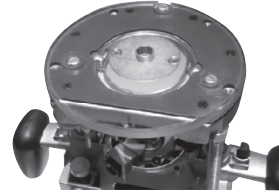


BAGUE DE GUIDAGE

FR

* COMBINAISON DÉFONCEUSES/ACCESSOIRES :

Défonceuse	Guide de précision	Plaque pour défonceuses
CMT7E	899.007.00	CMT300-SB
CMT8E	899.007.00	CMT300-SB
NO-CMT	899.007.00	CMT300-SB1



BASE DE FRAISAGE



Nous vous recommandons d'utiliser les suivantes
mèches de Ø12mm:

RÉFÉRENCE	DESCRIPTION	QUEUE
912.120.11	Ø12x31,7	S=8mm
652.120.11	Ø12x28,3	S=8mm
912.621.11	Ø12x38,1	S=12mm
912.622.11	Ø12x50,8	S=12mm
812.620.11	Ø12x31,7	S=12,7mm
812.621.11	Ø12x38,1	S=12,7mm
652.121.11	Ø12x48,3	S=12mm
652.621.11	Ø12x48,3	S=12,7mm

®: CMT, les logos CMT, CMT ORANGE TOOLS et la couleur orange du revêtement de la surface des outils sont des marques déposées de la société C.M.T. Utensili S.p.A.
Toutes les autres marques mentionnées sur le site web et dans les catalogues CMT sont la propriété de leurs fabricants respectifs.

© C.M.T UTENSILI S.P.A.

Ce document vous a été envoyé exclusivement à usage personnel.
Toute utilisation et ou reproduction de celui-ci est interdite sans l'autorisation expresse de son propriétaire.

ATTENZIONE!!

I SIMBOLI UTILIZZATI IN QUESTO MANUALE VI CONSIGLIANO LE CORRETTE PROTEZIONI DA UTILIZZARE DURANTE IL LAVORO.

SIMBOLI DELLE PROTEZIONI



Elmetto di protezione



Maschera antipolvere



Guanti protettivi



Cuffie antirumore

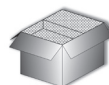


Scarpe antinfortunistiche



Occhiali protettivi

IT



CONTENUTO DELLA SCATOLA

CODICE: CMT650 SISTEMA DI GIUNZIONE PER PIANI DA CUCINA

NR. 1 A DIMA PER PIANI DA CUCINA IN FENOLICO

NR. 3 B PERNO DI BATTUTA IN METALLO ZINCATO

NR. 1 C PERNO DI BATTUTA SCORREVOLE IN FENOLICO

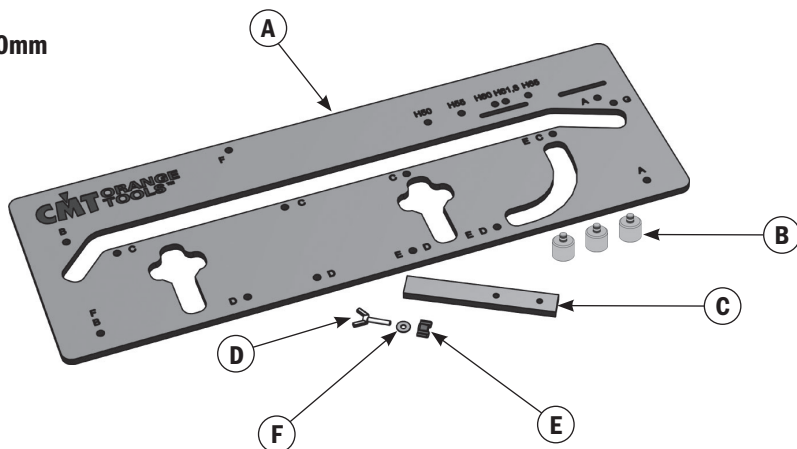
NR. 1 D DADO CON ROSETTA DI SERRAGGIO IN PLASTICA

NR. 1 E BULLONE M8

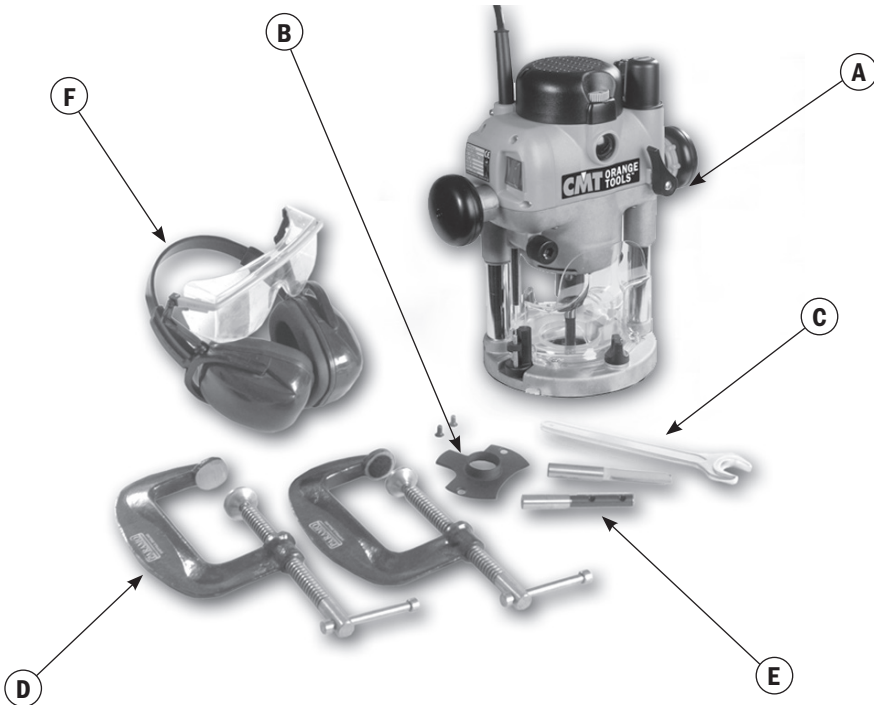
NR. 1 F RONDELLA M8

NR. 1 MANUALE DI ISTRUZIONI

Dimensioni:
880x300x10mm



- A** Elettrofresatrice portatile con pinze da 12 o 12,7mm
- B** Boccola di guida Ø30mm (codice 899.007.00)
- C** Chiavi e viti per fissaggio boccola di guida
- D** Due morsetti (versione lunga con rivestimento morbido o cuscinetto a protezione della dima sono la miglior soluzione)
- E** Fresa Ø12mm x 50mm (40mm per piani più sottili)
- F** Cuffie, occhiali o visiera



CORRETTE PROCEDURE DI LAVORAZIONE PER LA VOSTRA SICUREZZA!

I suggerimenti qui di seguito Vi permetteranno di rispettare le corrette procedure di lavorazione e assicurare a Voi e ai Vostri collaboratori una sicurezza totale, così come di conservare i utensili ed attrezzature in buono stato per il prossimo impiego.



ATTENZIONE!!

TENERE GLI UTENSILI ED ATTREZZATURE LONTANO DALLA PORTATA DEI BAMBINI

IT

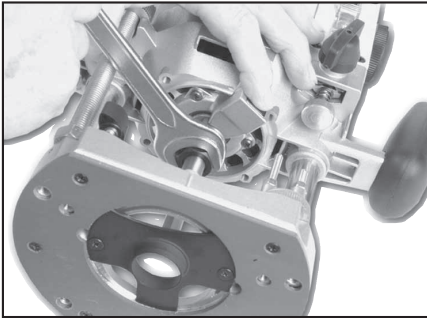
NORME DI SICUREZZA

1. Assicuratevi di sapere usare bene l'elettrofresatrice prima di usare il sistema di giunzione per cucina CMT650.
2. Seguite sempre le istruzioni fornite dal costruttore dell'elettrofresatrice e le procedure di sicurezza.
3. Se è la prima volta che utilizzate un sistema di giunzione per piani da cucina, eseguite una serie di tagli di prova su pezzi di scarto per acquisire maggior confidenza con le procedure, la sequenza dei passaggi e le caratteristiche dei tipi di fresatura, sia dei materiali, sia dell'elettrofresatrice che della dima.
4. Indossate sempre cuffie e occhiali protettivi durante il lavoro.
5. Indossate sempre una mascherina per la polvere o un respiratore e, se possibile, usate apparecchiature per aspirare la polvere.
6. Evitate di indossare abiti larghi e tenete i capelli raccolti.
7. Rimuovete sempre chiavi o pinze dall'elettrofresatrice e non lasciatele sul piano di lavoro o sulla maschera durante il lavoro.
8. Spegnete sempre l'elettrofresatrice e aspettate che abbia smesso di girare prima di sollevarla.
9. Fissate sempre il piano a una superficie rigida e sicura durante la fresatura.
10. Se possibile tagliate sempre le giunzioni prima di tagliare la lunghezza definitiva.

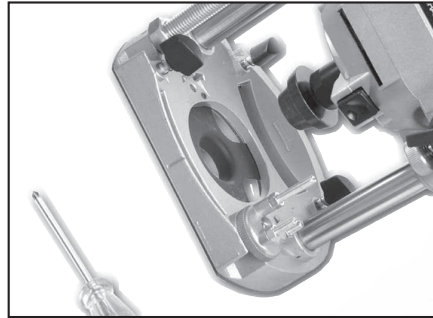
FRESE E PINZE

Quando si realizzano piani da cucina la natura abrasiva del truciolare ed il suo rivestimento usurano rapidamente il tagliente di ogni fresa, incluse quelle con riporti in carburo di tungsteno. Difficilmente con la stessa fresa realizzerete interamente più di tre piani da cucina senza scheggiature. AssicurateVi che le frese siano sempre pulite e affilate (a mano o con una pietra diamantata).





AssicurateVi che la fresa sia fissata correttamente alla pinza dell'elettrofresatrice
(cfr. il manuale di istruzioni dell'elettrofresatrice)

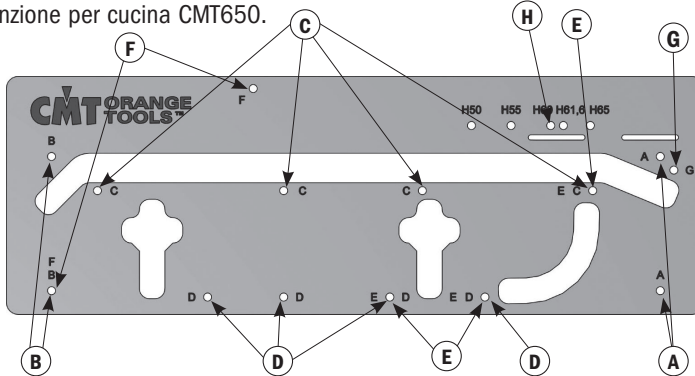


Controllate sempre che l'anello di guida sia centrato rispetto alla fresa, usate un perno per il centraggio.

IL SISTEMA DI GIUNZIONE PER CUCINA CMT650

Al fine di ottenere un corretto posizionamento sul top, il sistema di giunzione per cucina CMT650 è dotato di tre perni di battuta in metallo zincato che, posizionati nei predeterminati fori, permettono le diverse lavorazioni. Ogni perno di battuta ha due anelli in neoprene per essere fissato ancora più saldamente al sistema di giunzione per cucina CMT650. Se il perno di battuta si fissa con difficoltà applicate un pò di olio o sapone sugli anelli.

AssicurateVi che il perno di battuta sia ben fissato nei fori e che fuoriescano dalla parte inferiore del sistema di giunzione per cucina CMT650.

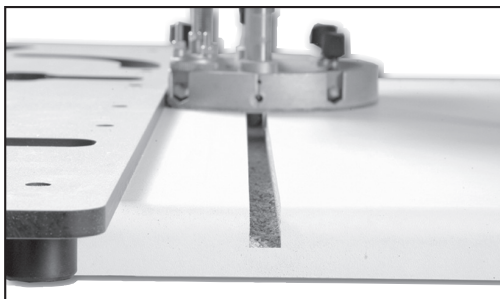


I fori per i perni di battuta in metallo sono indicati da lettere corrispondenti ad ogni specifica lavorazione:

- A.** 2 fori - parte esterna della giunzione a 45°
- B.** 2 fori - parte esterna della giunzione a 90°
- C.** 4 fori - parte interna delle giunzioni a 90° e 45°
- D.** 4 fori - fori di fissaggio dei tiranti
- E.** 3 fori - finiture raggiate degli angoli (r8,2)
- F.** 2 fori - rifiniture degli angoli a 45°
- G.** 1 foro - parte interna della giunzione a 45°
- H.** 1 foro - parte interna della giunzione a 90° (solo piani da 500, 550, 600, 616, 650mm)

NOTE: il sistema di giunzione deve essere utilizzato con una boccia di guida da 30mm e una fresa Ø12mm.

AssicurateVi sempre di fresare il lato corretto e verso il bordo arrotondato del piano. Durante la lavorazione l'utensile che ruota in senso orario frenerà in modo preciso la parte sinistra del taglio, ma scheggerà la superficie della parte destra, quindi dovete sempre lasciare lo scarto a destra.



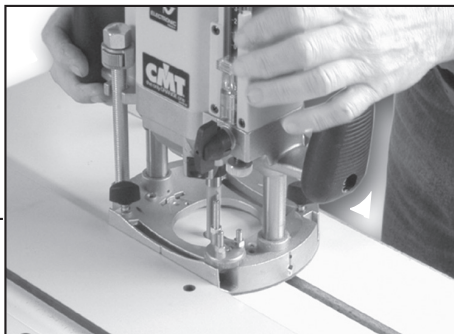
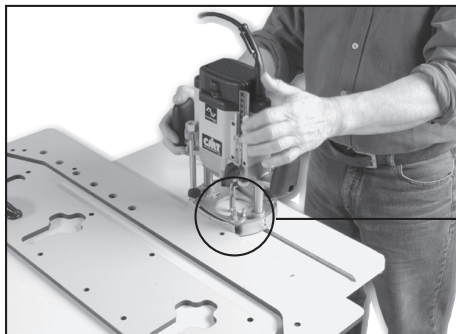
IT

Quando tagliate i piani usate una lama per eliminare la parte in eccesso lasciando uno scarto di 3mm e poi rifinite il bordo tagliato con l'elettrofresatrice facendola scorrere lungo il bordo del CMT650. Otterrete in questo modo un bordo squadrato su cui allineare i perni di battuta del sistema di giunzione per cucina CMT650.

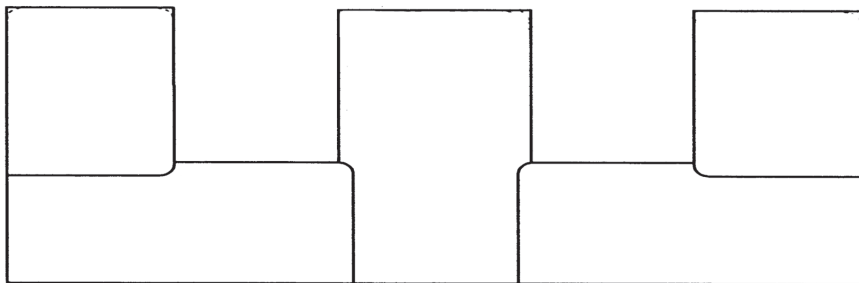
RicordateVi di fresare all'interno del bordo arrotondato e mai fuori.

Quando usate dei morsetti ricordateVi di apporre del materiale morbido tra il morsetto e il lato rivestito del piano.

Se possibile, lasciate il piano sempre un po' più lungo in modo tale da poter apportare delle modifiche alla giunzione qualora il primo taglio risultasse sbagliato.



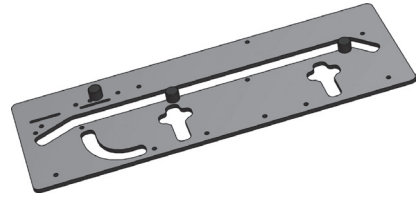
REALIZZAZIONE DI UNA GIUNZIONE A 90°



ATTENZIONE!!

Quando eseguite una giunzione a 90° verso destra lasciate la parte rivestita verso l'alto. Per la giunzione maschio corrispondente rovesciate il piano.

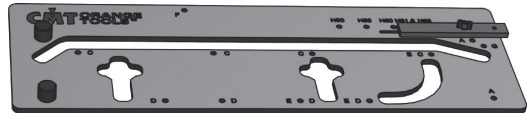
Quando eseguite una giunzione a 90° verso sinistra mantenete la parte rivestita verso il basso. Per la giunzione maschio corrispondente rovesciate il piano.



Per prima cosa posizionate la dima in modo da adattarla alla larghezza del top. Se si tratta di piano standard da 600mm usate i fori **H**. Se ci sono differenze nella larghezza del top o se fosse più largo o più stretto di 600mm utilizzare il perno di battuta scorrevole.

UTILIZZO DELLO STOP SCORREVOLE

Una volta posizionato il perno di battuta scorrevole fissatelo dalla parte inferiore del sistema di giunzione per cucina CMT650 con il bullone M8 in dotazione, assicurandolo con il dado di serraggio **D** e la rondella **F** attraverso i fori svasati.



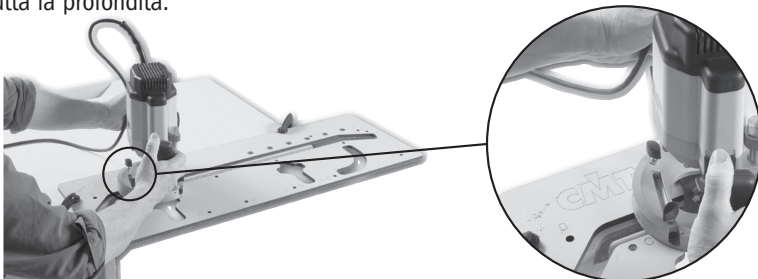
Inserite due perni di battuta nei fori **B**, premeteli contro la parte superiore del piano, controllando che il sistema di giunzione per cucina CMT650 sia perpendicolare al piano. Regolate il perno di battuta scorrevole fino al bordo posteriore e fissate il morsetto in dotazione.

TAGLIO DELLA GIUNZIONE FEMMINA

Posizionate lo stop nel foro **C** (vedi pagina 35). Un perno di battuta premerà contro l'estremità del piano e due lungo la parte frontale. Posizionate il perno di battuta davanti in due dei quattro fori, la larghezza del piano ne determinerà la distanza. Assicuratevi che tutti i perni di battuta siano ben aderenti ai bordi del piano prima di fissare la dima al top con i morsetti. Fate in modo che questi non intralcino i movimenti dell'elettrofresatrice.

TAGLIO

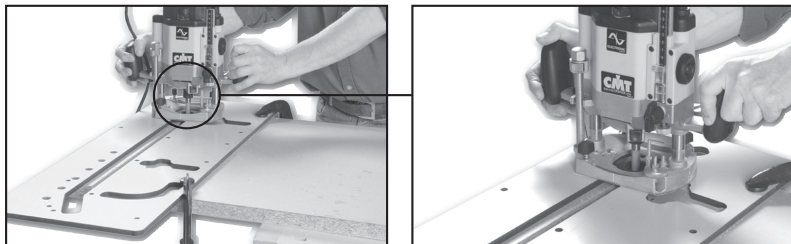
Eseguite il taglio in una serie di piccoli passaggi, più sottile è il taglio minore sarà la pressione esercitata sull'elettrofresatrice che diventerà quindi più agevole da controllare. Mantenete una velocità costante e assicuratevi che l'elettrofresatrice rimanga perpendicolare alla dima e sempre a contatto con la stessa. Fresate sempre da sinistra verso destra, mantenendo la boccola di guida attaccata al bordo. Infine spingete l'elettrofresatrice con più forza verso il bordo tagliato ed eseguite il passaggio finale su tutta la profondità.



TAGLIO DELLA GIUNZIONE MASCHIO

Per prima cosa ruotate il piano e controllate che sia nella giusta posizione. Quando tagliate il maschio, lasciate il perno di battuta scorrevole o il perno di battuta **H** dove si trova e inserite due perni di battuta nei fori **B**. Posizionate e fissate il sistema di giunzione per cucina CMT650 all'estremità del piano, assicurandovi che sia perpendicolare al bordo davanti e che i perni di battuta siano ben aderenti all'estremità. Sostenete la parte di scarto del piano usando un morsetto o con un altro piano di lavoro in modo da evitare che, cadendo, rovini il laminato. Fresate questo pezzo esattamente come avete fatto per la femmina.

IT



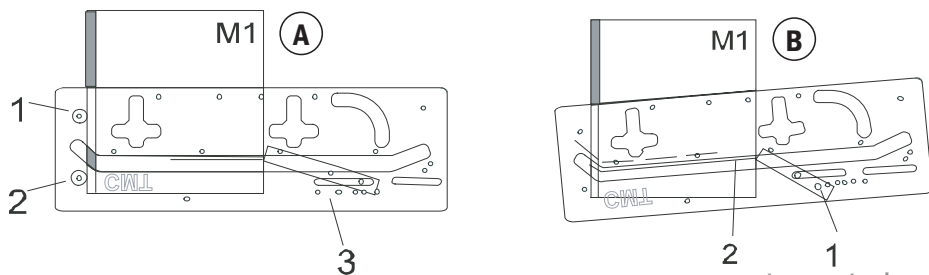
COMPENSAZIONE PER BORDI FUORI SQUADRO

Con il CMT650 potete effettuare piccoli aggiustamenti fino a massimo di circa +3°. Queste giunzioni, naturalmente, non saranno mai precise quanto quelle a 90°. La compensazione sarà sempre eseguita sulla giunzione maschio. Se possibile posizionate il maschio sulla femmina, se non avete abbastanza spazio per farlo, usate un calibro conico o un altro metodo per calcolare l'angolo e riprodurlo sul piano. Fate attenzione a quale parte dovete fresare e posizionate il top di conseguenza. Segnate sul retro del maschio il bordo interno della femmina, questa linea segnerà la linea di taglio dell'angolo del maschio. Girate il maschio e marcate bene la linea.

Figura A: Inserite due perni di battuta nei fori **B** e, utilizzando il perno di battuta scorrevole, posizionate il sistema di giunzione per cucina CMT650 sul top con i due perni di battuta contro il bordo anteriore in modo tale che siano perpendicolari. Controllate che i perni di battuta siano ben aderenti al bordo anteriore e fissate il sistema di giunzione per cucina CMT650 con dei morsetti al top. Posizionate la parte appuntita del perno di battuta scorrevole contro la fine di questa linea e fissate i morsetti.

Figura B: Rimuovete i due perni di battuta anteriori. Posizionate il sistema di giunzione per cucina CMT650 sulla linea di taglio con la punta del perno di battuta scorrevole sulla parte finale della linea di taglio dell'angolo. Girate il sistema di giunzione per cucina CMT650 facendo perno su questo punto fino a quando il bordo della guida sarà parallelo alla linea di taglio ad angolo. Fissate saldamente il sistema di giunzione per cucina CMT650 al top e tagliate la giunzione maschio seguendo la stessa procedura illustrata in precedenza.

REALIZZAZIONE DI UNA GIUNZIONE AD ANGOLO RETTO



Per realizzare una giunzione a 45° su un top, usate la parte curva di 22.5 mm del CMT650.

Come per le giunzioni a 90°, per quelle a 45° il top deve essere tagliato con il giusto lato verso l'alto, a seconda che il piano debba stare a destra o a sinistra o sia maschio o femmina.

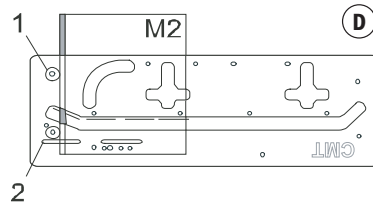
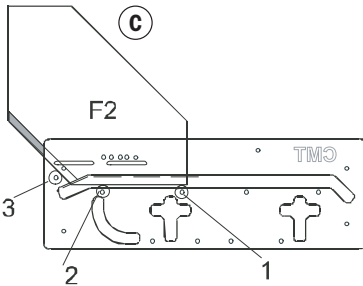
La prima cosa da fare è decidere e tagliare l'anagolo a 45° (se possibile lasciate uno scarto per poter poi fresare di nuovo se la giunzione non fosse corretta). Quando tagliate la lunghezza del top usate una sega per eliminare la maggior parte del materiale in eccesso fino a 3 mm dalla linea di taglio stabilita, poi rifinite il bordo con un'elettrofresatrice contro il bordo della dima o un bordo comunque diritto. In questo modo otterrete un bordo diritto contro cui allineare gli stop.

Taglio della giunzione femmina (Vedi fig. C)

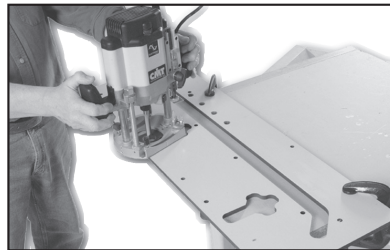
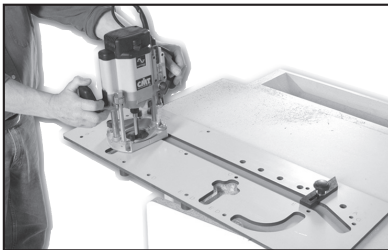
Inserite due perni di centraggio nei fori **C** e uno nel foro **G**. Posizionate il sistema di giunzione per cucina CMT650 sul top con lo stop **G** contro il bordo anteriore e i perni di battuta **C** contro il bordo tagliato ad angolo. Tagliate con l'elettrofresatrice seguendo la stessa procedura della giunzione a 90°.

Taglio della giunzione maschio (Vedi fig.D)

Inserite i perni di battuta nei fori **A**, teneteli premuti saldamente contro il bordo anteriore del top e fissate bene il sistema di giunzione per cucina CMT650 con i morsetti. Tagliate con l'elettrofresatrice seguendo la stessa procedura della giunzione a 90°.



REALIZZAZIONE DELLE SEDI



Per realizzare le sedi per i tiranti inserite due perni di battuta nei fori **D**. Il loro posizionamento deve essere distante non meno di 100 mm dal bordo anteriore del top. La distanza tra le due sedi può essere la stessa predefinita dal sistema di giunzione per cucina CMT650 o variare per adattarsi alla larghezza del top. RicordateVi di farle combaciare su entrambe le sezioni della giunzione, partendo dal bordo anteriore tramite misurazione o utilizzando un listello.

Fate aderire saldamente i perni di battuta al bordo della giunzione e fissateli con dei morsetti. Fresate le sedi in modo tale che il bullone del morsetto sia al centro della profondità del top. Per quest'operazione utilizzate sempre la stessa fresa da 12mm e lo stesso anello di guida da 30mm, fresate sempre in più passaggi eliminando tutto lo sfrido dalle sedi.

Durante l'assemblaggio della giunzione Vi consigliamo di inserire dei biscotti (misura 20) per aiutarVi ad allineare le superfici dei top ed evitare movimenti tra i piani. Le sedi per i biscotti possono essere fresate con l'elettrofresatrice o con una fresa per le giunzioni a biscotto tra le sedi per i morsetti inserite non meno di 4 biscotti in un piano lungo 600mm.

Per tagliare una sede per un biscotto con l'elettrofresatrice, utilizzate un alberino, il codice 822.340.11, una fresa a disco spessore 4mm, Ø47.6mm e un cuscinetto di guida da 22mm per ottenere una sede di 12.8mm (il biscotto misura 20 è largo circa 24mm). Fresa per giunzioni a biscotto, alberino, e cuscinetto codice 922.340.11B (attacco 12mm) 822.340.11B (attacco 12,7mm) o 922.340.11A (attacco 8mm) 822.340.11A (attacco 6,35mm).

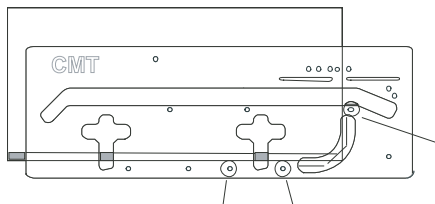
IT

Il punto di giunzione dei due lati tagliati della giunzione deve essere sigillato per evitare che l'acqua penetri all'interno. Potete utilizzare per questo un collante resistente all'acqua o meglio un sigillante adesivo per top colorato. Quest'ultimo può essere acquistato in una gamma di colori che possono essere mescolati per adattarsi al colore della finitura del Vostro top. Se lavorate con top economici potrebbe capitare che il truciolare si sfaldi o si scheggi durante il taglio. Dovrete quindi carteggiarlo leggermente prima dell'assemblaggio. Fate molta attenzione a non carteggiare anche il rivestimento.

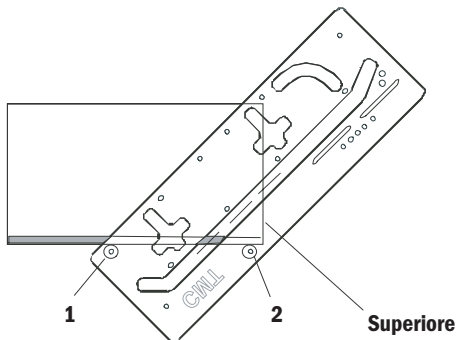
ALTRI IMPIEGHI DEL CMT650

ANGOLI A 45° E PARTI RAGGIATE

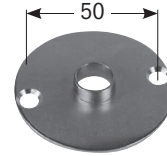
Per eseguire una parte raggiata su un top o una penisola, inserite tre perni di battuta nei fori **E** ed eseguite il taglio con l'elettrofresatrice in più passaggi come descritto in precedenza.



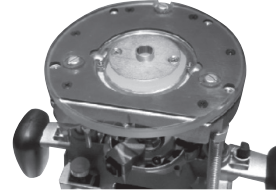
Per eseguire un angolo a 45° sulle parti di un top o di una penisola inserite due stop nei fori **F** ed eseguite il taglio con l'elettrofresatrice in più passaggi, come descritto in precedenza.



- ELETTROFRESATRICE
- GUIDA Ø30MM*
- FRESA A TAGLIANTI DIRITTI Ø12MM
- DUE MORSETTI

**BOCCOLA DI GUIDA***** COMBINAZIONE FRESATRICE/ACCESSORI**

Fresatrice	Boccola di guida	Base per foratrice
CMT7E	899.007.00	CMT300-SB
CMT8E	899.007.00	CMT300-SB
NO-CMT	899.007.00	CMT300-SB1

**BASE PER FORATRICE****652****912**

Si raccomanda l'uso delle seguenti frese diritte da Ø12mm:

CODICE	DESCRIZIONE	ATTACCO
912.120.11	Ø12x31,7	S=8mm
652.120.11	Ø12x28,3	S=8mm
912.621.11	Ø12x38,1	S=12mm
912.622.11	Ø12x50,8	S=12mm
812.620.11	Ø12x31,7	S=12,7mm
812.621.11	Ø12x38,1	S=12,7mm
652.121.11	Ø12x48,3	S=12mm
652.621.11	Ø12x48,3	S=12,7mm

®: CMT, i loghi CMT, CMT ORANGE TOOLS e il colore arancio del rivestimento della superficie degli utensili sono marchi registrati di C.M.T. UTENSILI S.P.A. Ogni altro marchio riportato nei cataloghi dei prodotti CMT e nel sito web CMT rimane di proprietà dei rispettivi produttori.

© **C.M.T. UTENSILI S.P.A.**

Questo documento Vi è stato inviato solo ad uso personale.

Qualsiasi altro uso e/o riproduzione di esso è vietata senza preventiva autorizzazione scritta rilasciata da C.M.T. UTENSILI S.P.A.

ACHTUNG!!

DIE IN DIESEM HANDBUCH VERWENDETEN SYMBOLE WEISEN AUF DIE RICHTIGE SCHUTZAUSRÜSTUNG HIN, DIE WÄHREND DER ARBEIT GETRAGEN WERDEN MUSS.

SYMBOLE DER SCHUTZAUSRÜSTUNG



Schutzhelm



Staubschutzmaske



Schutzhandschuhe



Gehörschutz



Sicherheitsschuhe



Schutzbrillen

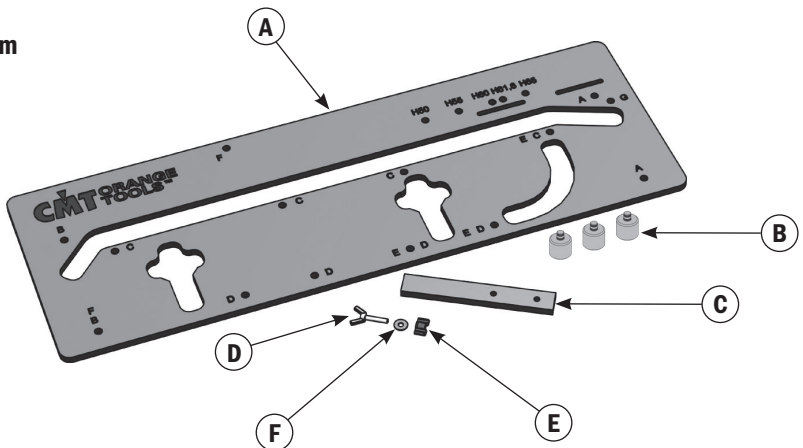
DE



SCHACHTELINHALT:

CODE:	CMT650 VERBINDUNGSSYSTEM FÜR KÜCHENARBEITSFLÄCHEN
NR. 1 A	SCHABLONE FÜR KÜCHENARBEITSFLÄCHEN AUS PHENOL
NR. 3 B	ANSCHLAGSTIFTE AUS VERZINKTEM METALL
NR. 1 C	GLEITANSCHLAGSTIFT AUS PHENOL
NR. 1 D	MUTTER MIT BEFESTIGUNGSRING AUS PLASTIK
NR. 1 E	MUTTERSCHRAUBE M8
NR. 1 F	UNTERLEGSCHIBE M8
NR. 1	BEDIENUNGSANLEITUNG

Größe:
880x300x10mm



- A** Tragbare Elektrofräsmaschine mit 12 oder 12,7mm Spannange
- B** Führungsnietbolzen Ø30mm (Bestell-Nr. 899.007.00)
- C** Schlüssel und Schrauben zur Befestigung der Führungsnietbolzen
- D** Zwei Klemmen (lange Version mit weichem Mantel oder Formscheibenschuttlager sind die beste Lösung)
- E** Ø12mm x 50mm Nutfräser (40mm für dünnere Arbeitsflächen)
- F** Gehörschutz, Schutzbrillen oder Gesichtsschutzschild



KORREKTE VORGANGSWEISEN FÜR IHRE SICHERHEIT!

Mit den folgenden Empfehlungen sollen Ihnen und Ihren Mitarbeitern korrekte Vorgangsweisen nahegelegt, eine 100%-ige Sicherheit gewährleistet, sowie Werkzeuge und Geräte für den nächsten Einsatz in gutem Zustand bewahrt werden.



ACHTUNG!!
HALTEN SIE WERKZEUGE UND GERÄTE VON KINDERN FERN

SICHERHEITSBESTIMMUNGEN

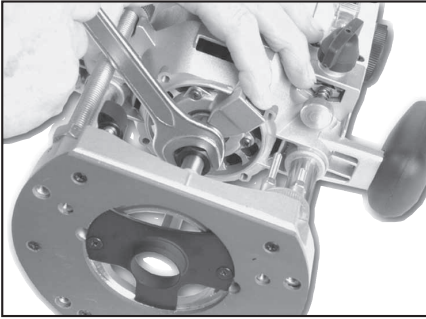
DE

1. Vergewissern Sie sich, dass Sie die Elektrofräsmaschine verwenden können, bevor das CMT650 Verbindungssystem für Küchen eingesetzt wird.
2. Befolgen Sie stets die Anweisungen des Herstellers der Elektrofräsmaschine, sowie die Sicherheitsbestimmungen.
3. Sollten Sie zum ersten Mal ein Verbindungssystem für Küchenarbeitsflächen verwenden, machen Sie vorher ein paar Probeschnitte an Abfallstücken, um mit den Vorgangsweisen, den Arbeitsschritten und den Merkmalen der Fräsmaschinentypen, der Materialien, der Elektrofräsmaschine, sowie der Schablone vertraut zu werden.
4. Tragen Sie immer Gehörschutz und Schutzbrillen während der Arbeit.
5. Tragen Sie immer eine Staubschutzmaske oder ein Atemschutzgerät und verwenden Sie, wenn möglich, eine Staubabsaugvorrichtung.
6. Vermeiden Sie weite Kleidung und binden Sie die Haare zusammen.
7. Entfernen Sie immer Schlüssel oder Greifer von der Elektrofräsmaschine und lassen Sie diese während der Arbeit nicht auf der Arbeitsfläche oder der Maske liegen.
8. Schalten Sie immer die Elektrofräsmaschine aus und warten Sie, bis diese sich nicht mehr dreht, bevor Sie die Fräse heben.
9. Befestigen Sie das Werkstück während des Fräsvorgangs immer auf einer harten und sicheren Unterlage.
10. Schneiden Sie, wenn möglich, immer die Verbindungen, bevor Sie die endgültige Länge schneiden.

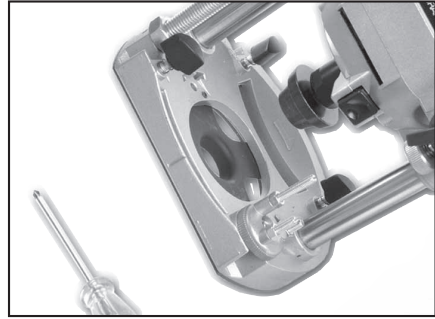
HW-FRÄSER UND SPANNZANGE

Bei der Fertigung von Küchenarbeitsflächen wird die Schnittfläche der HW-Fräser bald durch die Rauheit der Spanplatte und deren Beschichtung abgenutzt. Daher ist es schwierig, mit dem selben Fräser mehr als drei Küchenarbeitsflächen ohne Splitterungen zu fertigen. Vergewissern Sie sich, dass der Fräser immer sauber und (scharf) geschliffen sind.





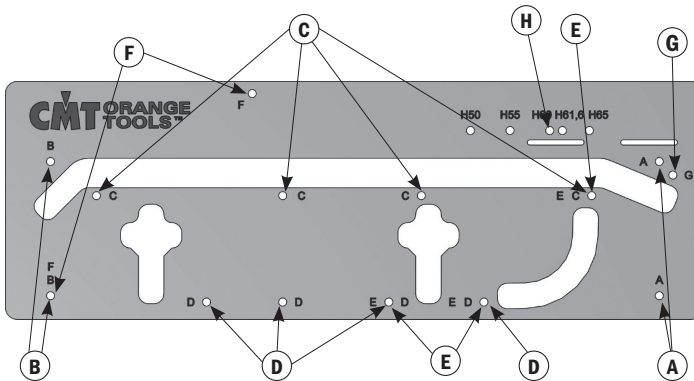
Vergewissern Sie sich, dass der Fräser korrekt an der Spannange der Elektrofräsmaschine fixiert ist.



Kontrollieren Sie immer, dass der Führungsring zur Fräse zentriert ist, verwenden Sie einen Bolzen für die Zentrierung.

DAS CMT650 VERBINDUNGSSYSTEM FÜR KÜCHEN

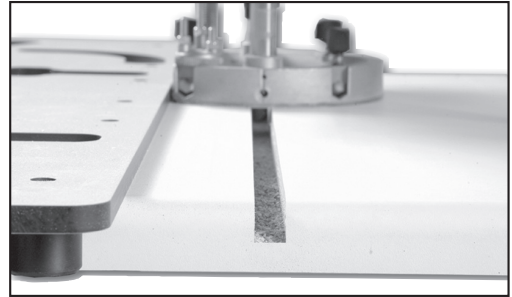
Um eine korrekte Positionierung auf der Aufsatzfläche zu erzielen, ist das CMT650 Verbindungssystem für Küchen mit drei Anschlagstiften aus verzinktem Metall versehen, die in die vorgegebenen Löcher gesteckt werden und so die verschiedenen Arbeitsvorgänge erleichtern. Jeder Anschlagstift hat zwei Neoprenringe, um so noch fester mit dem CMT650 Verbindungssystem fixiert zu werden. Ist es schwierig, den Anschlagstift zu fixieren, schmieren Sie die Ringe mit etwas Öl oder Seife. Vergewissern Sie sich, dass der Anschlagstift gut in den Löchern fixiert ist und dieser an der Unterseite aus dem CMT650 Verbindungssystem austritt. Die Löcher für die Metallanschlagstifte sind durch entsprechende Buchstaben gekennzeichnet, die sich jeweils auf den spezifischen Arbeitsschritt beziehen:



- A.** 2 Löcher - Außenseite der 45° Verbindung
- B.** 2 Löcher - Außenseite der 90° Verbindung
- C.** 4 Löcher - Innenseite der 90° und 45° Verbindungen
- D.** 4 Löcher - Fixierlöcher der Spannschrauben
- E.** 3 Löcher - Radialausführung der Ecken (r8,2)
- F.** 2 Löcher - Ausführung der 45° Ecken
- G.** 1 Loch - Innenseite der 45° Verbindung
- H.** 1 Loch - Innenseite der 90° Verbindung (nur 500, 550, 600, 616, 650mm Flächen)

ANM: Das Verbindungssystem muss mit einem 30mm Führungsnietbolzen und einem Ø12mm Nutfräser eingesetzt werden.

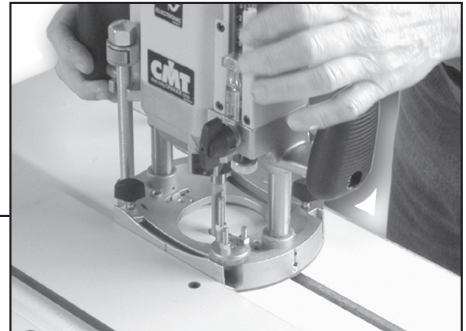
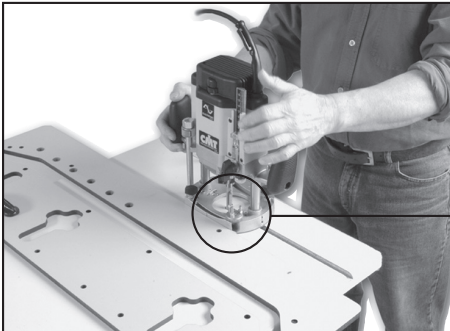
Vergewissern Sie sich immer, dass die richtige Seite und zur abgerundeten Flächenkante hin gefräst wird. Während des Arbeitsprozesses fräst sich der im Uhrzeigersinn drehende Fräser genau die linke Schnittseite, splittert aber die Oberfläche der rechten Seite ab, daher muss sich der Verschnitt immer rechts vom Fräser befinden.

**DE**

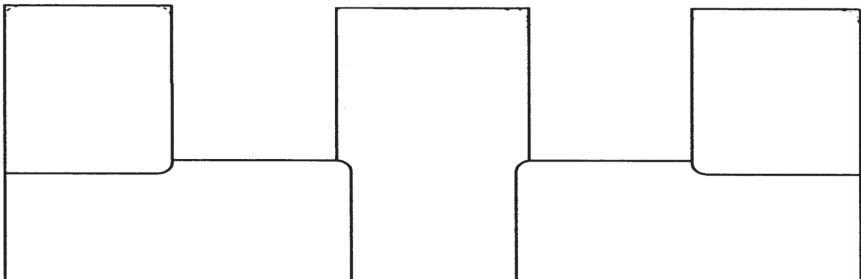
Verwenden Sie beim Schneiden der Arbeitsflächen eine Klinge, um den überschüssigen Teil zu entfernen, wobei zusätzlich 3mm als Spielraum für den Abfall gelassen werden müssen; bearbeiten Sie danach die geschnittene Kante mit der Elektrofräsmaschine, die entlang der Kante der CMT650 Verbindung geführt wird. So wird eine eckige Kante erzielt, an der die Anschlagstifte des CMT650 Verbindungssystems ausgerichtet werden können. Denken Sie immer daran, am abgerundeten Kanteninneren und niemals an der Außenseite zu fräsen.

Werden Klemmen verwendet, legen Sie eine weiche Unterlage zwischen Klemme und die beschichtete Arbeitsflächenseite.

Schneiden Sie, wenn möglich, die Arbeitsfläche immer etwas länger als nötig, um Veränderungen an der Verbindung vornehmen zu können, falls der erste Schnitt nicht korrekt sein sollte.



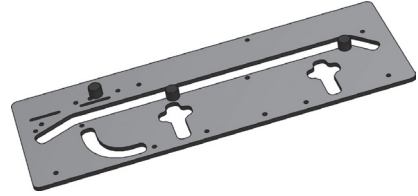
AUSFÜHRUNG EINER 90° VERBINDUNG



ACHTUNG!!

Wird eine 90° Verbindung nach rechts ausgeführt, muss die beschichtete Seite nach oben zeigen. Für die entsprechende Federverbindung drehen Sie die Arbeitsfläche um.

Wird eine 90° Verbindung nach links ausgeführt, muss die beschichtete Seite nach unten zeigen. Für die entsprechende Federverbindung drehen Sie die Arbeitsfläche um.

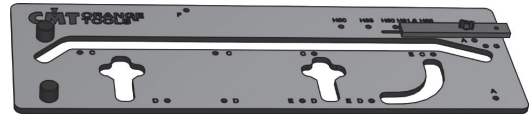


Positionieren Sie zunächst die Schablone entsprechend der Breite der Aufsatzfläche. Bei einer 600mm Standardarbeitsfläche verwenden Sie die H Löcher. Ist die Aufsatzfläche breiter oder schmaler als 600mm, verwenden Sie den Gleitanschlagstift.

DE

VERWENDUNG DES GLEITDÜBELS

Nachdem der Gleitanschlagstift positioniert wurde, fixieren Sie diesen an der Unterseite des CMT650 Verbindungssystems mit der beigelegten M8 Mutterschraube, die mit der Befestigungsmutter D und der Unterlegscheibe F durch die erweiterten Löcher gesichert werden.



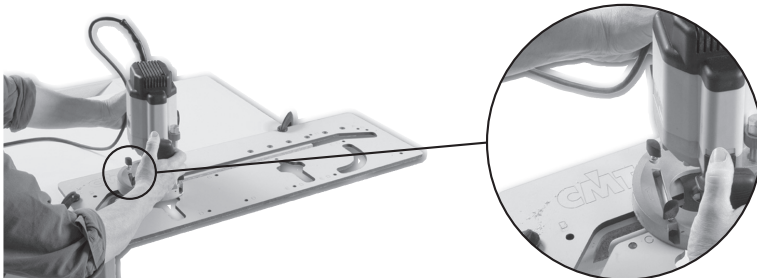
Stecken Sie zwei Anschlagstifte in die Löcher B, drücken Sie diese gegen den Arbeitsflächenoberteil und kontrollieren Sie, dass das CMT650 Verbindungssystem senkrecht zur Arbeitsfläche steht. Stellen Sie den Gleitanschlagstift auf die hintere Kante ein und fixieren Sie die beigelegte Klemme.

FRÄSEN DER NUTVERBINDUNG

Stecken sie den Dübel in das Loch C (siehe Seite 45). Ein Anschlagstift drückt gegen das Arbeitsflächenendstück und zwei drücken an den Hauptteil. Stecken Sie den Anschlagstift vorne in zwei der vier Löcher, wobei die Arbeitsflächenbreite den Abstand bestimmt. Vergewissern Sie sich, dass alle Anschlagstifte gut in die Arbeitsflächenkanten greifen, bevor die Formscheibe mit den Klemmen auf der Aufsatzfläche fixiert wird, wobei diese die Bewegungen der Elektrofräsmaschine nicht behindern dürfen.

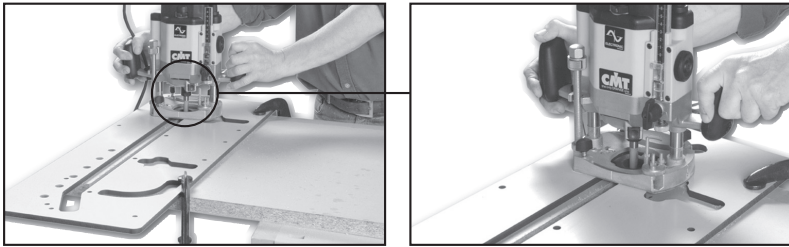
SCHNITT

Führen Sie mehrere kleine Schnitte aus, denn je feiner der Schnitt, umso geringer ist der Druck, der auf die Elektrofräsmaschine ausgeübt wird, die somit leichter zu handhaben ist. Fräsen Sie mit konstanter Geschwindigkeit und vergewissern Sie sich, dass die Elektrofräsmaschine immer senkrecht zur Schablone arbeitet und auf dieser aufliegt. Fräsen Sie immer von links nach rechts und halten Sie den Führungsnietbolzen fest an der Kante. Drücken Sie schließlich die Elektrofräsmaschine noch fester gegen die geschnittene Kante und führen Sie den Fräsendlauf an der gesamten Tiefe durch.



FRÄSEN DER FEDERVERBINDUNG

Drehen Sie zunächst die Arbeitsfläche und kontrollieren Sie, dass diese richtig positioniert ist. Beim Federschnitt lassen Sie den Gleitanschlagstift oder den Anschlagstift H in ihrer Position und stecken Sie zwei Anschlagstifte in die Löcher B. Positionieren und fixieren Sie das CMT650 Verbindungssystem am Arbeitsflächenende und vergewissern Sie sich, dass dieses vorne senkrecht zur Kante steht und die Anschlagstifte gut in die Flächenenden greifen. Stützen Sie den Verschnitt der Arbeitsfläche mit einer Klemme oder einer anderen Arbeitsfläche ab, um zu vermeiden, dass das Furnier bei Sturz beschädigt wird. Fräsen Sie diesen Teil genau wie die Nute.



DE

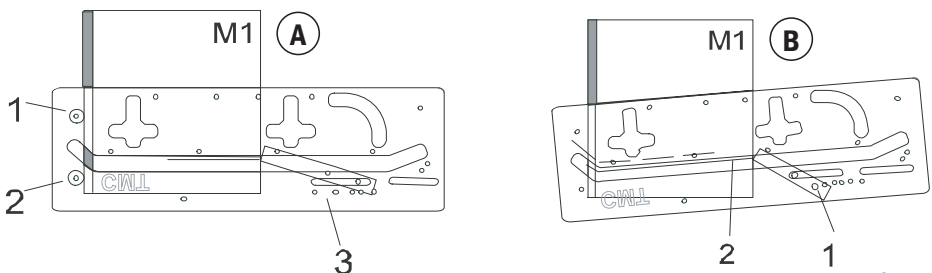
AUSGLEICH NICHT RECHTWINKELIGER RÄNDER

Mit dem CMT650-System können auch kleine Korrekturen bis zu höchstens $+3^\circ$ vorgenommen werden. Diese Verbindungen sind natürlich nie so genau wie 90° Verbindungen. Es wird immer die Federverbindung ausgeglichen. Wenn möglich legen Sie die Feder auf die Nute, sollten Sie nicht genügend Platz haben, verwenden Sie einen konischen Messschieber oder ein anderes Messgerät, um den Winkel zu messen und auf die Arbeitsfläche zu übertragen. Achten Sie auf den zu fräsenden Teil und positionieren Sie entsprechend die Aufsatzfläche. Zeichnen Sie auf der Federrückseite die Nutinnenkante nach, diese Linie kennzeichnet die Schnittlinie des Federwinkels. Drehen Sie den Federteil um und kennzeichnen Sie die Linie gut sichtbar.

Abbildung A: Stecken Sie zwei Anschlagstifte in die Löcher B und positionieren Sie mit dem Gleitanschlagstift das CMT650 Verbindungssystem auf der Aufsatzfläche mit den beiden Anschlagstiften senkrecht gegen die Vorderkante. Kontrollieren Sie, dass die Anschlagstifte gut in die Vorderkante greifen und fixieren Sie das CMT650 Verbindungssystem mit zwei Klemmen an der Aufsatzfläche. Legen Sie den spitzen Teil des Gleitanschlagstifts an das Ende dieser Linie und fixieren Sie mit Klemmen.

Abbildung B: Entfernen Sie die beiden Vorderanschlagstifte. Legen Sie das CMT650 Verbindungssystem auf die Schnittlinie mit der Spitze des Gleitanschlagstifts am Winkelschnittlinienende. Wenden Sie das CMT650 Verbindungssystem, indem Sie sich auf die genannte Stelle stützen, bis die Führungskante parallel zur Winkelschnittlinie liegt. Fixieren Sie gut das CMT650 Verbindungssystem an der Aufsatzfläche und schneiden Sie die Federverbindung wie bereits beschrieben.

AUSFÜHRUNG EINER RECHTWINKELIGEN VERBINDUNG



Um eine 45° Verbindung an einer Aufsatzfläche vorzunehmen, verwenden Sie den gebogenen 22.5 mm Teil des CMT650-Systems.

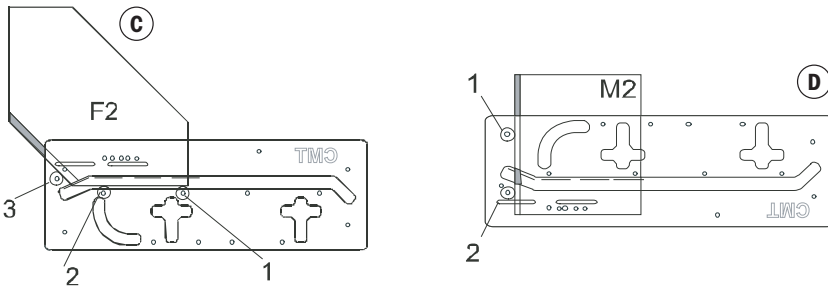
Wie bei 90° Verbindungen muss auch bei 45° Verbindungen die Aufsatzfläche mit der richtigen Seite nach oben geschnitten werden, je nach dem, ob die Arbeitsfläche rechts oder links liegt. Zunächst muss der Winkel bestimmt und dann 45° geschnitten werden (lassen Sie, wenn möglich, einen Spielraum für den Abfall, um danach nochmals zu fräsen, sollte die Verbindung nicht korrekt sein). Verwenden Sie beim Schneiden der Arbeitsflächenlänge eine Säge, um den meisten überschüssigen Teil zu entfernen, wobei zusätzlich 3mm als Spielraum von der angegebenen Schnittlinie gelassen werden sollten; bearbeiten Sie danach die Kante mit einer Elektrofräsmaschine, die gegen die Kante der Schablone oder jedenfalls gegen eine gerade Kante geführt wird. So wird eine eckige Kante erzielt, an der die Dübel ausgerichtet werden können.

Schnitt der Nutverbindung (siehe Abb. C)

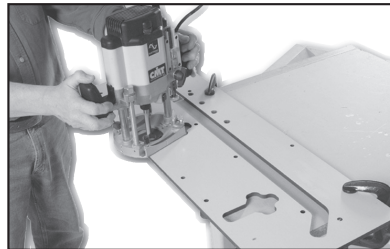
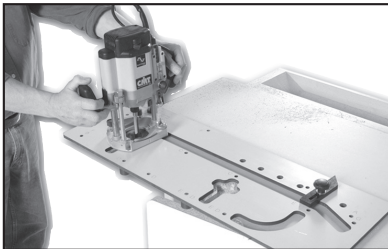
Stecken Sie zwei Zentrierstifte in die Löcher C und einen in Loch G. Positionieren Sie das CMT650 Verbindungssystem auf der Aufsatzfläche mit Dübel G gegen die Vorderkante und die Anschlagstifte C gegen die winkelig geschnittene Kante. Schneiden Sie mit der Elektrofräsmaschine wie bei einer 90° Verbindung.

Schnitt der Federverbindung (siehe Abb.D)

Stecken Sie die Anschlagstifte in die Löcher A und drücken Sie diese gegen die Vorderkante der Aufsatzfläche, fixieren Sie mit den Klemmen gut das CMT650 Verbindungssystem. Schneiden Sie mit der Elektrofräsmaschine wie bei einer 90° Verbindung.



VORBEREITUNG DER SCHRAUBENSITZE



Um die Spanschraubensitze vorzubereiten, stecken Sie zwei Anschlagstifte in die Löcher D, diese müssen mindestens 100 mm von der Vorderkante der Aufsatzfläche entfernt sein. Die beiden Schraubensitze können ebenso weit von einander entfernt sein, wie vom CMT650 Verbindungssystem vorgegeben ist, oder je nach Breite der Aufsatzfläche variieren. Vergessen Sie nicht, dass die Schraubensitze mit beiden Verbindungen übereinstimmen müssen, indem von der Vorderkante aus gemessen oder eine Leiste verwendet wird.

Sobald die Anschlagstifte fest an der Verbindungskante greifen, diese mit Klemmen fixieren. Fräsen Sie die Schraubensitze so, dass die Klemmenmutter in der Mitte der Aufsatzflächentiefe eingesetzt wird. Verwenden Sie dazu immer denselben 12mm Fräser und 30mm Führungsring, fräsen Sie immer in mehreren Arbeitsgängen und entfernen Sie zur Gänze den Fräsabfall aus den Schraubensitzen.

Während der Verbindungsmontage empfehlen wir Ihnen, Bolzen (Größe 20) einzufügen, um leichter die Aufsatzflächen auszurichten und Rutschen zwischen den Arbeitsflächen zu vermeiden. Die Bolzensitze können mit der Elektrofräsmaschine oder einer Fräse für Bolzenverbindungen gefräst werden; stecken Sie zwischen den Klemmsitzen nicht weniger als 4 Bolzen in eine 600mm lange Arbeitsfläche.

Um einen Bolzensitz mit der Elektrofräsmaschine zu schneiden, verwenden Sie eine Spindel, Bestell-Nr. 822.340.11, einen Scheibennuträser mit \varnothing 47,6mm und 4mm Schnittbreite und ein 22mm Führungslager für einen Sitz von 12,8mm (der Bolzen Größe 20 ist ca. 24mm breit). Fräse für Bolzenverbindungen, Spindel und Lager Bestell-Nr. 922.340.11B (12mm Schaft) 822.340.11B (12,7mm Schaft) oder 922.340.11A (8mm Schaft) 822.340.11A (6,35mm Schaft).

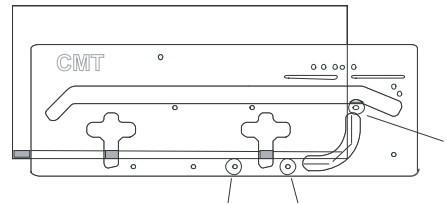
DE

Die Verbindungsstelle der beiden geschnittenen Verbindungsseiten muss abgedichtet werden, um zu vermeiden, dass Wasser in das Innere eindringt. Dazu kann ein wasserfestes Kleband oder besser eine Klebedichtungsmasse für farbige Arbeitsplatten verwendet werden. Diese Dichtungsmasse ist in vielen verschiedenen Farben erhältlich, die gemischt werden können, um sie an die Farbe der Arbeitsplatten anzupassen. Werden billige Arbeitsplatten verwendet, kann passieren, dass die Spanplatte während des Schnitts ablättert oder splittert. Diese müssen daher vor der Montage zart geschliffen werden. Geben Sie Acht, dass die Beschichtung nicht auch abgeschliffen wird.

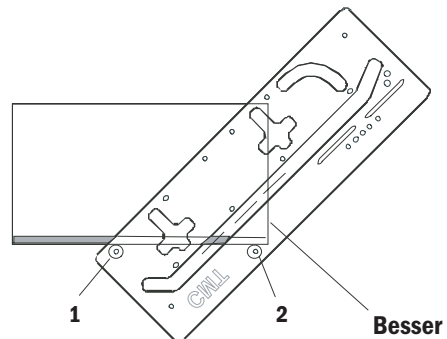
WEITERE VERWENDUNGEN DES CMT650-SYSTEMS

45° WINKEL UND RADIALTEILE

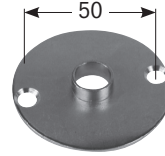
Um einen Radialteil an einer Aufsatzfläche oder einer Halbinsel auszuführen, stecken Sie drei Anschlagstifte in die Löcher E und nehmen Sie den Schnitt in mehreren Arbeitsgängen mit der Elektrofräsmaschine wie bereits beschrieben vor.



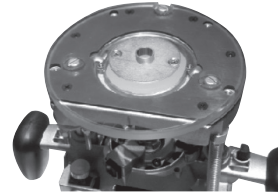
Um einen 45° Winkel an den Teilen einer Arbeitsplatte oder einer Halbinsel auszuführen, stecken Sie zwei Dübel in die Löcher F und nehmen Sie die Fräsung in mehreren Arbeitsgängen mit der Elektrofräsmaschine wie bereits beschrieben vor.



- OBERF
- Ø30MM-PRÄZISIONSFÜHRUNG
- Ø12MM-NUTFRÄSER
- ZWEI SCHRAUBZWINGEN


PRÄZISIONSFÜHRUNG
*** KOMBINATION OBERFRÄSEN/ZUBEHÖRTEILE:**

Oberfräse	Präzisionsführung	Grundplatte für Oberfräsen
CMT7E	899.007.00	CMT300-SB
CMT8E	899.007.00	CMT300-SB
NO-CMT	899.007.00	CMT300-SB1


GRUNDPLATTE FÜR OBERFRÄSEN


Wir empfehlen Ihnen, die folgenden Ø12mm-Fräser zu benutzen:

NR.#	BESCHREIBUNG	SCHAFT
912.120.11	Ø12x31,7	S=8mm
652.120.11	Ø12x28,3	S=8mm
912.621.11	Ø12x38,1	S=12mm
912.622.11	Ø12x50,8	S=12mm
812.620.11	Ø12x31,7	S=12,7mm
812.621.11	Ø12x38,1	S=12,7mm
652.121.11	Ø12x48,3	S=12mm
652.621.11	Ø12x48,3	S=12,7mm

®: CMT, die Logos CMT, CMT ORANGE TOOLS und die orange Farbe der Oberflächenbeschichtung der Werkzeuge sind registrierte Marken von C.M.T. UTENSILI S.p.A.
 Jede weitere Marke, die in den Produktkatalogen von CMT und auf der Webseite von CMT angeführt sind, bleiben Eigentum des jeweiligen Herstellers.

© C.M.T. UTENSILI S.p.A.

Dieses Dokument wurde Ihnen nur für den persönlichen Gebrauch übermittelt.
 Ohne vorhergehende schriftliche Genehmigung seitens der C.M.T. UTENSILI S.p.A. darf das Dokument nicht anderweitig verwendet und / oder vervielfältigt werden.

ВНИМАНИЕ!

Используемые в данном руководстве символы обозначают правильную защиту, необходимую для использования во время работы.

Символы защитной экипировке



Каска



Пылезащитная маска



Защитные перчатки



Наушники



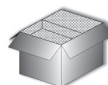
Защитная обувь



Защитные очки

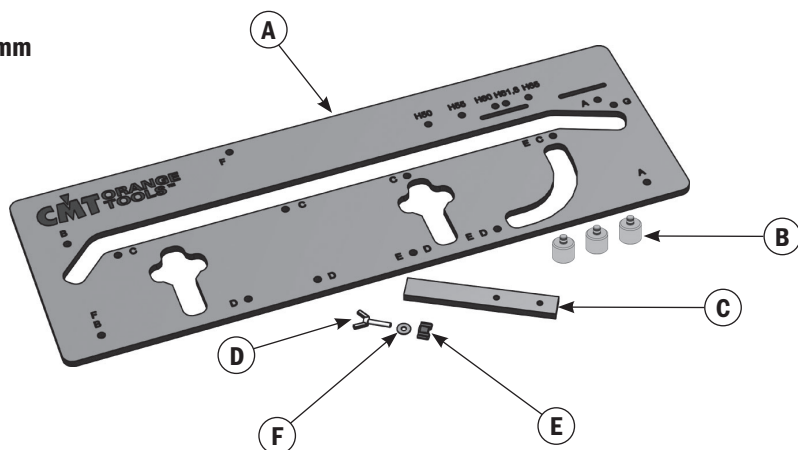
RU

КОМПЛЕКТАЦИЯ



Код	СМТ650 - шаблон для соединения столешниц
1 шт. А	Шаблон СМТ650 из фенол-слоистого пластика
3 шт. В	Цилиндрические упоры, с уплотнительными кольцами (по два на упор)
1 шт. С	Скользящий упор
1 шт. D	Барашковый болт М8
1 шт. E	Барашковая гайка М8
1 шт. F	Шайба М8
1 шт.	Инструкция

Размеры:
880x300x10mm



- A.** Мощный погружной фрезер с цангой 12 мм или 12,7 мм (1/2")
- B.** 30мм направляющая втулка (артикул 899.007.00)
- C.** Цанговый ключ и винты для крепления направляющей втулки
- D.** Пара струбцин (в идеале - с глубоким захватом и защитными колпачками чтобы не испортить столешницу)
- E.** Прямая пазовая фреза $\varnothing 12$ мм x 50 мм (40 мм для тонких столешниц)
- F.** Средства защиты органов слуха, защитные очки или лицевой щиток



Рекомендации по работе / безопасности

Следующие рекомендации сообщат Вам о правильной работе, помогут Вам и Вашим коллегам остаться невредимыми и содержать Ваш инструмент и оборудование в рабочем порядке.



ПРЕДУПРЕЖДЕНИЕ!

Держите инструменты и оборудование в недоступном для детей месте.

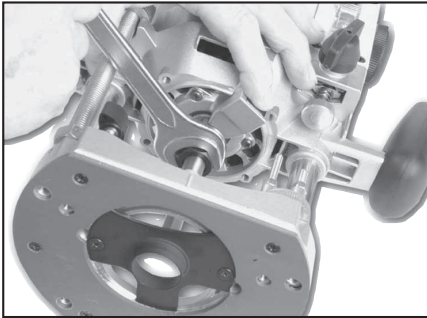
Основные Требования

1. Перед использованием данного приспособления CMT650 Вы должны быть знакомы с работой фрезером.
2. Всегда следуйте инструкциям производителя электрофрезера, а также правилам техники безопасности.
3. Если ранее Вы не пользовались шаблоном для соединений столешниц, сделайте несколько пробных фрезерований на ненужных обрезках столешницы для ознакомления с особенностями всех составляющих: материала, фрезера и шаблона и последовательностью процедур
4. При фрезеровании всегда одевайте защитные очки (маску) и наушники (беруши).
5. Обязательно пользуйтесь маской от пыли или респиратором, применяйте, если это возможно, систему вытяжной вентиляции и пылесборник.
6. Не одевайте свободную одежду, а если у вас длинные волосы, соберите их «в хвост».
7. Всегда убирайте ключ из фрезера и не оставляйте на рабочей поверхности, когда фрезеруете.
8. Выключая электрофрезер, дождитесь полной его остановки, прежде чем поднять фрезер от поверхности.
9. Перед фрезерованием закрепляйте столешницу стабильно.
10. Если возможно, сначала фрезеруйте соединения, а потом отрезайте столешницу по длине.

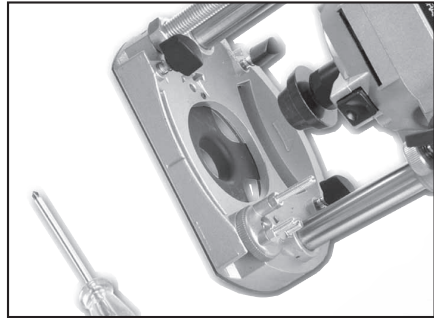
Фрезы и цанги

При фрезеровании столешниц, абразивная структура ДСП и ламинированное покрытие быстро изнашивают режущие кромки фрез. Мало какая фреза сможет идеально ровно сделать более трёх соединений столешницы. Перед фрезерованием каждого соединения убедитесь, что фреза имеет чистые и заточенные режущие кромки.





Убедитесь в правильной установке фрезы в канге фрезера (обратитесь к инструкции вашего электрофрезера)

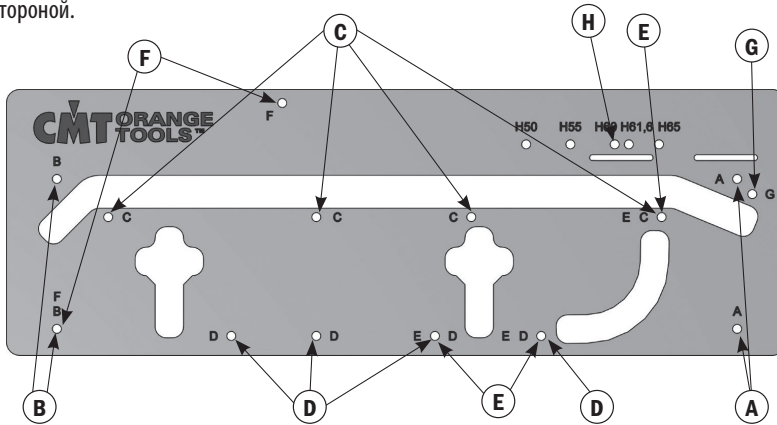


Всегда проверяете, чтобы копировальная втулка была соосна с фрезой, по возможности используя центрирующий конус (оправку).

НАСТРОЙКА ПРИСПОСОБЛЕНИЯ CMT650

Для точного позиционирования на столешнице, приспособление CMT 650 комплектуется тремя стальными упорами, устанавливаемыми в определённые отверстия для соответствующих операций.

Каждый упор снабжён парой неопреновых уплотнительных колец для надёжной фиксации в отверстии. В случае, если упор с трудом устанавливается в отверстие, смажьте неопреновое уплотнительное кольцо маслом или мощным (мыльным) раствором. Убедитесь, что упоры вставляются в отверстия полностью – заподлицо с обратной стороны.



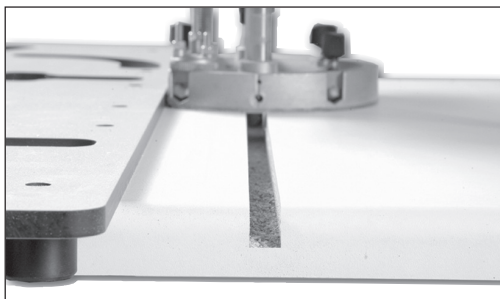
Отверстия для металлических упоров обозначены соответствующими буквами, применительно к выполнению данной конкретной работе.

- A. 2 отверстия - наружная часть соединения 45°
- B. 2 отверстия - наружная часть соединения 90°
- C. 4 отверстия - внутренняя часть соединения под 90 и 45°
- D. 4 отверстия - выборка пазов под стяжки
- E. 3 отверстия – закругление углов
- F. 2 отверстия - срезание углов под углом 45°
- G. 1 отверстие - внутренняя часть соединения под углом 45°
- H. 1 отверстие - внешняя часть соединения под углом 90° (для столешниц шириной 500, 550, 600, 616, 650 мм)

ВАЖНО: Приспособление CMT650 необходимо использовать с копировальной втулкой диаметром цилиндрической части 30 мм и фрезой с рабочим диаметром 12 мм. В этом случае край паза будет отстоять от края шаблона на 9 мм.

ОБЩИЕ РЕКОМЕНДАЦИИ ПО ИЗГОТОВЛЕНИЮ СОЕДИНЕНИЙ СТОЛЕШНИЦЫ

Убедитесь в верном выборе стороны и места (со стороны закруглённого края) столешницы перед тем, как приступить к фрезерованию. Из-за направления вращения фрезы по часовой стрелке при фрезеровании, левый край (относительно направления движения фрезера) будет иметь более аккуратный рез, чем правый. Поэтому оставляйте на обрезки именно правую часть заготовки.



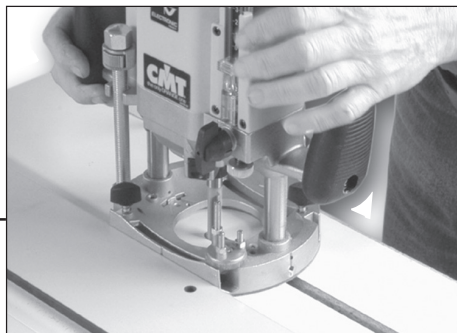
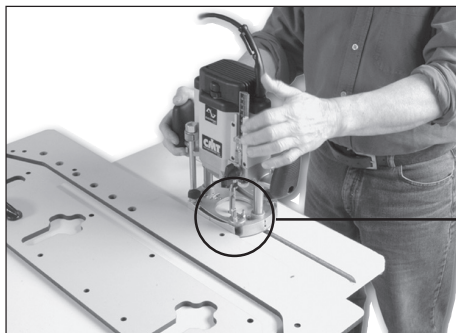
При обрезке столешницы по длине и похожих операциях, отрезайте излишки лобзиком, оставляя около 3 мм до необходимой линии реза, а затем «обгоняйте» край фрезой по шаблону. Таким образом вы получите лучшее качество кромки при дальнейшем фрезеровании.

RU

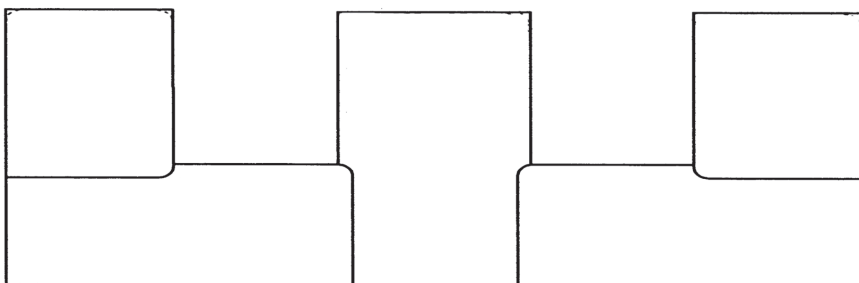
Так как качество реза на «входе» всегда лучше, чем на «выходе», то фрезеруя округлые кромки столешницы, нужно начинать фрезерование именно с закруглённого края столешницы.

Используя струбины, подкладывайте мягкий материал между струбиной и лицевой поверхностью обрабатываемой панели.

Если возможно, всегда оставляйте небольшой припуск по длине столешницы, чтобы можно было исправить случайную ошибку при фрезеровании.



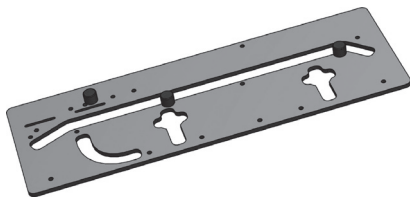
ИЗГОТОВЛЕНИЕ СОЕДИНЕНИЙ ПОД ПРЯМЫМ УГЛОМ



ОБРАТИТЕ ВНИМАНИЕ

При фрезеровании соединений под углом 90° всегда начинайте фрезерование со стороны со скруглённым краем и фрезеруйте только слева направо, так, чтобы готовый продукт оставался слева относительно направления движения фрезера, а обрезки справа. Соответственно этим требованиям, поворачивайте столешницу лицом вверх или вниз:

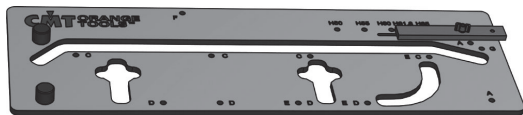
При фрезеровании левого соединения, сторона «мама» соединения фрезеруется лицевой стороной вниз, а сторона «папа» - лицевой стороной вверх. При фрезеровании правого соединения - наоборот: «мама» - лицом вверх, «папа» - лицом вниз.



Для начала установите приспособление CMT650 относительно ширине столешницы. В случае стандартной столешницы с шириной 500, 550, 600, 616 или 650 мм, установите один из упоров в позицию Н. Если же ширина столешницы шире или уже, необходимо использовать скользящий упор.

Использование скользящего упора

По возможности, всегда используйте упор в позиции Н соответственно ширине столешницы. Если же столешница имеет нестандартную ширину, придётся использовать скользящий упор.



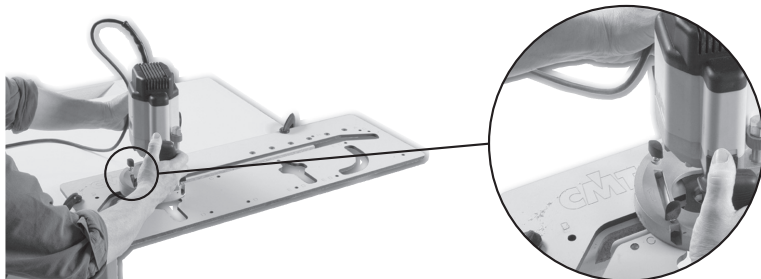
Для установки скользящего упора, закрепите его с нижней стороны шаблона зажимным винтом (D), используя шайбу (F) и гайку (E) через соответствующее щелевое отверстие шаблона (зависит от ширины столешницы). Установите упоры в гнезда В, прижмите шаблон к переднему краю столешницы. Убедитесь в перпендикулярности шаблона к столешнице и закрепите скользящий упор, прижав его к задней стороне столешницы.

Фрезерование приемной части «мама»

Установите упоры в отверстия С шаблона (см. стр. 55), так, чтобы один из упоров (Н или скользящий I) находился напротив края столешницы, а два других вдоль передней грани. Передние упоры должны быть установлены в два из четырёх отверстий. Расстояние между упорами С выбирайте в зависимости от ширины столешницы. Убедитесь в плотном прилегании всех упоров к краям столешницы перед тем, как закрепить шаблон струбцинами. Убедитесь, что струбицины не находятся на пути движения фрезера.

Фрезерование:

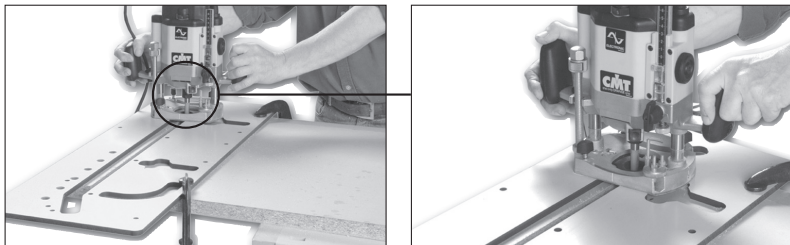
Фрезеруйте в несколько проходов, чем меньше глубина реза, тем меньшее сопротивление резу и тем легче контролировать фрезер. Фрезеруйте с постоянной скоростью, контролируя перпендикулярность и плотное прилегание фрезера к шаблону. Перемещайте фрезер всегда слева направо, прижимая направляющую втулку к краю шаблона. Заканчивая фрезерование, приложите немного большее усилие на втулку в направлении обрабатываемой заготовки и сделайте чистый последний проход на полную глубину столешницы.



Фрезерование ответной части «папа»

Прежде всего поверните рабочую панель и убедитесь, что она установлена правильно.

Вставьте 2 ограничительных упора в отверстия В и в одно из отверстий Н, в зависимости от ширины столешницы (см. стр. 7). Установите и зафиксируйте шаблон СМТ650 на краю обрабатываемой столешницы. Убедитесь, что он установлен спереди перпендикулярно кромке, а упоры надёжно установлены на конце панели. Если отрезаемый кусок большой, то обязательно прижмите его к шаблону с помощью струбцины, чтобы не повредить шпоновый край при падении. Фрезеруйте ответную часть аналогично приемной «мама». Будьте внимательны на «выходе фрезы».



RU

Компенсация кривизны стен

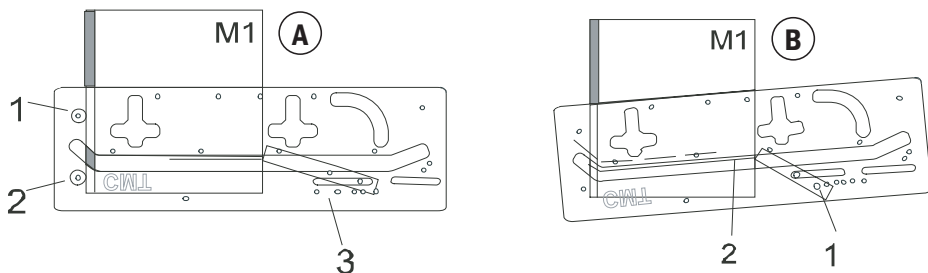
Небольшие расхождения (до 3°) могут быть устранены с применением СМТ650. Однако, необходимо учитывать, что такие соединения не будут идеально ровными и точными как соединение под прямым углом. Угол всегда срезается с «папиной» (внутренней) секции столешницы.

Где возможно, расположите «папину» секцию столешницы поверх «маминой». Если место не позволяет, используйте угломер (малку) или другой метод перевода угла скоса на столешницу. Помните, какой край вы фрезеруете, и поверните лицевой или нижней стороной соответственно принципам, указанным выше. Отметьте на нижней стороне «папиной» секции столешницы, линию соединения с секцией «мама». Эта линия будет линией реза для обрезанной на угол «папиной» секции. Переверните «папину» секцию столешницы и чётко отметьте линию реза на угол. Параллельно этой линии начертите линию с отступом 9 мм (для припуска на втулку).

Рисунок А: установите два упора в отверстия В на шаблоне, а скользящий упор закрепите не затягивая. Установите приспособление на столешнице с двумя упорами напротив переднего края (который не фрезеруется на угол). Удостоверьтесь в том, что топоры прилегают плотно и притяните шаблон струбциной к столешнице. Начертите линию параллельно шаблону с отступом в 9 мм от края шаблона. Установите указывающий угол скользящего шаблона напротив края этой линии и затяните винт упора.

Рисунок В: освободите струбцины и снимите пару фронтальных упоров. Расположите шаблон на линии реза так, чтобы угол скользящего упора указывал на угловую линию реза. Поверните шаблон так, чтобы он был параллелен этой линии, но в 9 мм от неё. Надёжно закрепите шаблон на столешнице и повторите фрезерование аналогично предыдущим.

ИЗГОТОВЛЕНИЕ 90° СОЕДИНЕНИЙ



Для фрезерования под углом 45° используйте паз шаблона CMT650 с изгибом 22,5°.

Как и с соединениями под прямым углом, соединения столешницы 45° должно фрезероваться верной стороной вверх в зависимости от того левое или правое соединение вы делаете, а также в зависимости от того какую часть фрезеруете - «мама» или «папа».

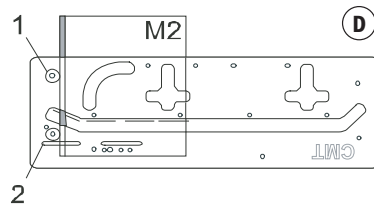
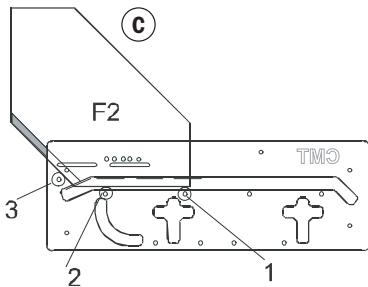
Первым шагом при фрезеровании соединения под углом 45° необходимо точно установить и отрезать 45° угол на соответствующей стороне столешницы (оставьте запас столешницы по длине насколько возможно, чтобы в случае ошибки исправить соединение). При укорачивании столешницы по длине, используйте лобзик, оставляя припуск до 3-х мм. Край этот затем отфрезеруйте - это позволит добиться наиболее чистого результата, а также идеально ровного края, к которому можно упирать упоры приспособления CMT650 для дальнейшей работы.

Фрезерование приемной стороны «мама» (рисунок С)

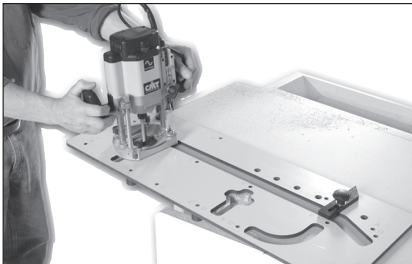
Установите пару упоров в отверстия С и один в G. Установите шаблон на столешницу так, чтобы упор G упирался в переднюю кромку, а упоры С - в срезанную под углом 45°. Фрезеруйте соединение аналогично процедурам выше (как для соединений 90°).

Фрезерование стороны «папа» (рисунок D)

Установите упоры в отверстия А, уприте в переднюю кромку и закрепите шаблон струбцинами и повторите фрезерование по аналогии с рекомендациями для соединения в 90°.



ФРЕЗЕРОВАНИЕ ПАЗОВ ПОД СТЯЖКИ



Для фрезерования пазов под стяжки установите пару упоров в гнезда D. Струбцины должны быть установлены не далее, чем в 100 мм от края соединения. Кроме того, расстояния между ними должны соответствовать указанным на шаблоне или изменены соответственно ширине столешницы. Помните о необходимости совпадения между пазами на обоих соединяемых частях столешницы.

Установите шаблон, прижав упоры к стороне соединения, и закрепите приспособление струбцинами. Глубину фрезерования выберите так, чтобы стяжной болт располагался на глубине примерно по центру толщины столешницы. Для фрезерования пазов используйте ту же 30-мм копировальную втулку и 12 мм фрезу, что и для других операций, делая паз серией небольших проходов и убирая отходы фрезерования из пазов.

При сборке соединений столешницы рекомендуется использовать шпоночное соединение (размер №20) для выравнивания секций друг относительно друга и противодействия появлению ступенек между секциями на лицевой поверхности соединения. Выборки под шпонку могут быть сделаны либо погружным фрезером, либо ламельным фрезером. Для надёжной фиксации, в соединении 600 мм столешницы должно быть не менее 4 шпонок.

Для фрезерования соединений с помощью ручного фрезера воспользуйтесь фрезами 922.340.11В (Ø12 мм хвостовик) или 922.340.11А (Ø8 мм хвостовик). Данные фрезы выбирают 25,6 x 4 мм паз под шпонку.

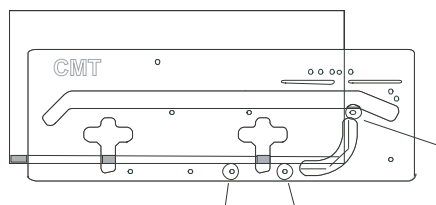
Отфрезерованные части соединения столешницы должны быть соединены для предотвращения попадания воды в соединение. Это можно сделать, используя водоотталкивающий клей или лучше цветной клей герметик для столешниц, который бывает различных цветов, чтобы смешением добиться нужного Вам оттенка. При работе со столешницами из дешёвых материалов, бывает сложно добиться гладкого края при фрезеровании. В этом случае, перед склеиванием зачистите кромку абразивной бумагой, чтобы слегка сгладить неровности. Будьте осторожны, не испортите при этом ламинат.

RU

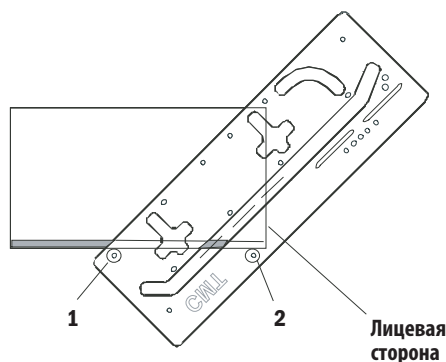
ДОПОЛНИТЕЛЬНЫЕ ВОЗМОЖНОСТИ CMT650

Закругления углов и скосы углов под углом 45°

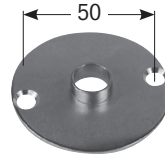
Для закругления углов установите 3 упора в отверстия E и фрезеруйте в несколько проходов, как описывалось выше.



Для фрезерования скосов столешницы установите пару упоров в отверстия F и фрезеруйте в несколько проходов, как было описано ранее.



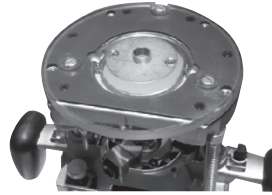
- ПОГРУЖНОЙ ЭЛЕКТРОФРЕЗЕР
- ПИРОВАЛЬНАЯ ВТУЛКА Ø30 ММ
- ПРЯМАЯ ФРЕЗА Ø12 ММ
- ПАРА СТРУБЦИН



Копировальная втулка

*** СООТВЕТСТВИЕ АКСЕССУАРОВ ФРЕЗЕРАМ**

Фрезер	Копировальная втулка	База фрезера
CMT7E	899.007.00	CMT300-SB
CMT8E	899.007.00	CMT300-SB
NO-CMT	899.007.00	CMT300-SB1



База фрезера

RU


652

912
Фрезы для приспособления

Мы рекомендуем использовать следующие Ø12 мм прямые фрезы

Артикул	Описание	Диаметр хвостовика
912.120.11	Ø12x31,7	S=8мм
652.120.11	Ø12x28,3	S=8мм
912.621.11	Ø12x38,1	S=12мм
912.622.11	Ø12x50,8	S=12мм
812.620.11	Ø12x31,7	S=12,7мм
812.621.11	Ø12x38,1	S=12,7мм
652.121.11	Ø12x48,3	S=12мм
652.621.11	Ø12x48,3	S=12,7мм

®: CMT, логотипы CMT, CMT оранжевый окрас инструмента и оранжевые цвета, наносимые на поверхность инструмента, являются товарными знаками C.M.T. Utensili SpA.

Любые другие названия компаний, упоминаемые в каталогах продукции CMT и на сайте CMT, являются собственностью их соответствующих владельцев.

©C.M.T UTENSILI S.P.A

Этот документ предназначен только для частного использования.

Любое другое использование и воспроизведение данной информации строго запрещено без письменного разрешения компании C.M.T Utensili S.P.A.

UWAGA!!!

ZALECA SIĘ STOSOWANIE OCHRONIACZY, ODPOWIADAJĄCYCH SYMBOŁOM Z OKŁADKI INSTRUKCJI PODCZAS KORZYSTANIA Z TEGO ZESTAWU.

SYMBOLE BEZPIECZEŃSTWA



Kask ochronny



Maska przeciwpyłowa



Rękawice ochronne



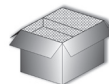
Nauszniki ochronne



Obuwie ochronne



Okulary ochronne



ZAWARTOŚĆ ZESTAWU

Nazwa: CMT650 Worktop Jig

NR. 1 A SZABLON Z MATERIAŁU FENOLICZNEGO

NR. 3 B TULEJE MOCUJĄCE

NR. 1 C KOŁEK OPOROWY NASTAWNY

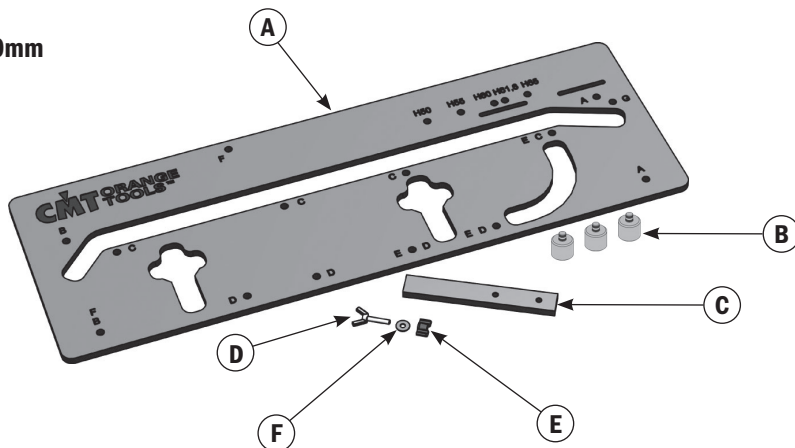
NR. 1 D POKRĘTŁO M8

NR. 1 E ŚRUBA M8

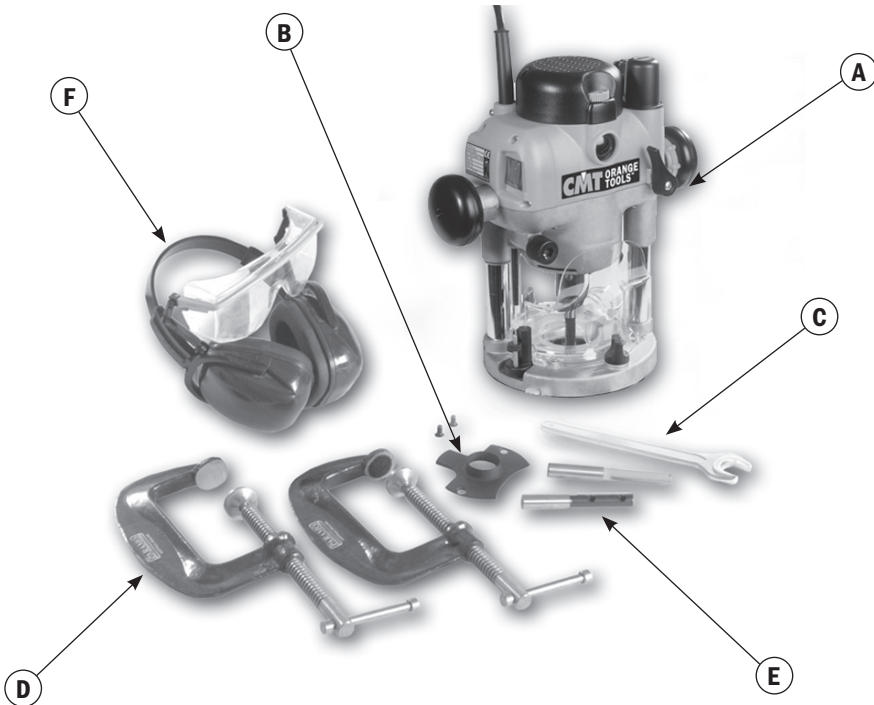
NR. 1 F PODKŁADKI M8

NR. 1 INSTRUKCJA OBSŁUGI

Wymiary:
880x300x10mm



- A** Frezarka z tulejką 12mm lub 12,7 mm
- B** Prowadnica 30mm (artykuł 899.007.00)
- C** Klucz i śruby blokujące tuleje
- D** Dwa zaciski
- E** Frez prosty $\varnothing 12\text{mm} \times 50\text{mm}$ (lub 40mm dla cieńszych blatów)
- F** Ochroniacz na uszy, rękawice ochronne, okulary ochronne



PROCEDURY DOTYCZĄCE PRACY / BEZPIECZEŃSTWO

Poniższe sugestie pomogą ustalić odpowiednie procedury podczas pracy, zapewnić bezpieczeństwo sobie i twoim pracownikom, oraz utrzymać narzędzia i maszyny w dobrym stanie.



UWAGA!
TRZYMAJ NARZĘDZIA I MASZYNY POZA ZASIĘGIEM MAŁYCH DZIECI.

ZASADY BEZPIECZEŃSTWA

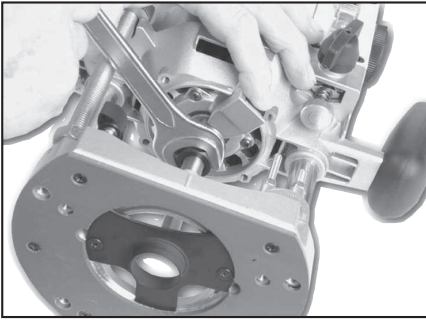
1. Upewnij się, że potrafisz posługiwać się frezarką, zanim zaczniesz używać szablonu
2. Zawsze trzymaj się wskazówek dotyczących użytkowania i zasad bezpieczeństwa frezarki
3. Jeśli nigdy wcześniej nie korzystałeś z zestawu do łączenia blatów, wykonaj próbne cięcia na kawałku blatu by zdobyć doświadczenie w kolejności cięcia, jego charakterystyki, oraz jednoczesnej pracy frezarki, szablonu i materiału
4. Zawsze zakładaj okulary ochronne oraz nauszники ochronne, gdy frezujesz
5. Zawsze, gdy to tylko możliwe zakładaj maskę przeciwpyłową i używaj odciągu pyłu
6. Unikaj luźnego ubioru, długie włosy zepnij z tyłu
7. Przed pracą usuń z szablonu i blatu wszystkie klucze oraz nakrętki
8. Przed podniesieniem frezarki z powierzchni blatu, zawsze wyłączaj frezarkę i poczekaj aż się zatrzyma
9. Zawsze unieruchamij blat, by uniemożliwić poruszenie się jego powierzchni podczas pracy
10. Jeśli to tylko możliwe, wytnij najpierw łączenia, zanim zaczniesz przykrawać blat na odpowiednią długość

PL

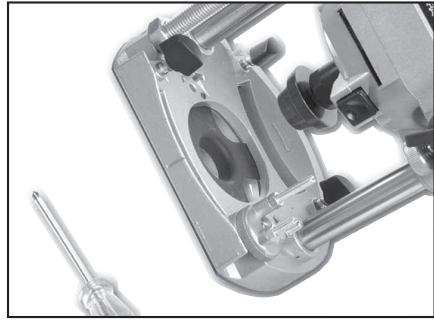
FREZY I TULEJE

Ścierna natura płyty wiórowej i laminatu szybko doprowadzi do stępienia frezów podczas pracy, nawet tych z wolframowymi ostrzami. Z tego powodu żaden frez nie wytrzyma dłużej, niż pracę przy trzech blatach, po czym, stopniowo nastąpi szarpanie materiału. Upewnij się, że frezy są czyste i naostrzone między frezowaniem poszczególnych blatów.





Upewnij się, że frez jest poprawnie zamocowany w tulei frezarki
(spójrz na instrukcję producenta frezarki)

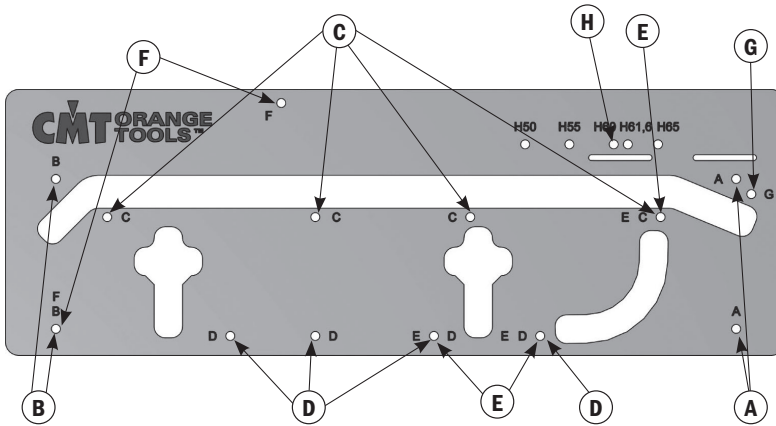


Zawsze sprawdź czy tuleja prowadząca jest wyśrodkowana w stosunku do frezarki, najlepiej wykorzystując odpowiednie do tego narzędzia.

KONFIGURACJA SZABLONU DO ŁĄCZENIA BLATÓW

Do precyzyjnego ustawienia blatu, zestaw CMT650 jest zaopatrzony w trzy tuleje mocujące, które umieszcza się odpowiednie otwory szablonu.

Każda z tych tulei jest zaopatrzona w pierścienie, które bezpiecznie utrzymują je w otworach. Jeśli tuleja ciężko wchodzi w otwór, należy zastosować kroplę oleju lub niewielką ilość smaru na pierścieni. Upewnij się, że tuleje zostały umieszczone odpowiednio głęboko w otworach dolnej części szablonu.

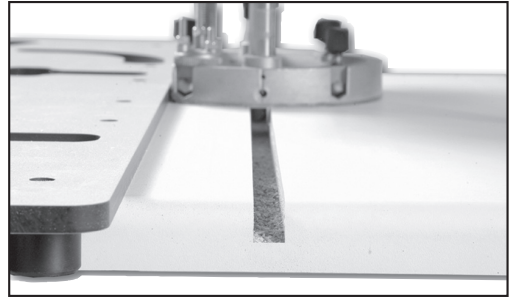


Literami oznaczono otwory pod tuleje blokujące dla każdej określonej operacji

- A. 2 otwory - zewnętrzna część połączenia 45°
- B. 2 otwory - zewnętrzna część połączenia 90°
- C. 4 otwory - wewnętrzna część połączeń 90° i 45°
- D. 4 otwory - otwory pod zaciski
- E. 3 otwory - wykończenie rogów z promieniem (R=8,2)
- F. 2 otwory - wykończenie rogów pod kątem 45°
- G. 1 otwór - wewnętrzna część połączenia 45°
- H. 1 otwór - wewnętrzna część połączenia 90° (tylko dla blatów 500, 550, 600, 616, 650 mm)

ZAPAMIĘTAJ: Zestaw do łączenia blatów firmy CMT wymaga tulei prowadzącej 30mm, oraz freza prostego 12 mm, zamocowanego we frezarce. Zapewni to bezpieczny 9mm margines między szablonem a frezem.

Zawsze upewnij się, że frezujesz z odpowiedniej strony blatu (zaokrągloną krawędzią do dołu). Kierunek obrotu frezu podczas cięcia (zgodnie z ruchem wskazówek zegara), spowoduje czyste cięcie z lewej strony frezowanego otworu, natomiast może pozostawić rozerwania materiału z prawej strony. Dlatego, by uniknąć braku wymiaru po przeszlifowaniu elementu, z prawej strony powinien być fragment blatu o większym wymiarze niż żądany.

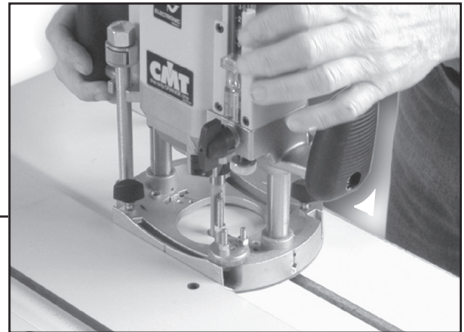
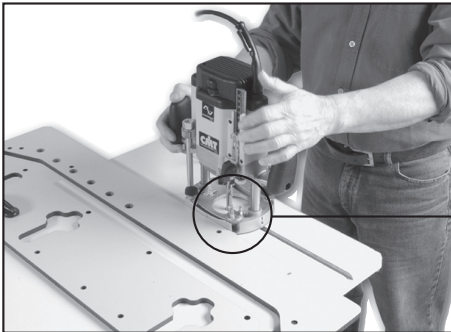


Gdy przycinasz blat na przykład na długość, użyj szablonu i piłą odetnij fragment z około 3 mm nadwyżką materiału w stosunku do żądanej długości, a następnie wykończ ciętą krawędź używając frezarki i szablonu. Zapewni to równą, prostą krawędź, wyrównaną do kołków oporowych.

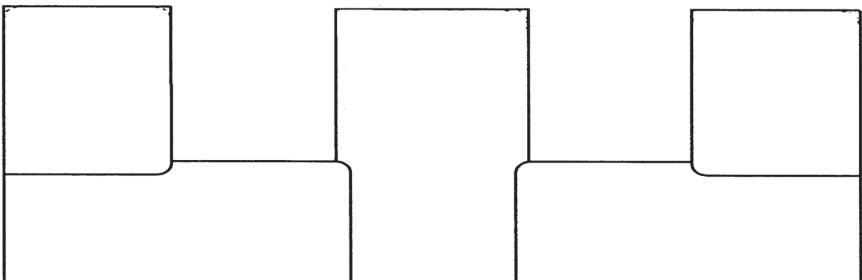
Pamiętaj, zawsze frezuj wewnątrz szablonu, nigdy na jego zewnętrznej krawędzi! Zawsze umieść nieco materiału pod mocowanie zacisków, by uniknąć uszkodzenia laminatu.

Pamiętaj, by zawsze pracować na dłuższym blacie niż wymagany. Zapewni to wykonanie nowych połączeń w przypadku, gdy coś pójdzie nie tak za pierwszym razem.

PL



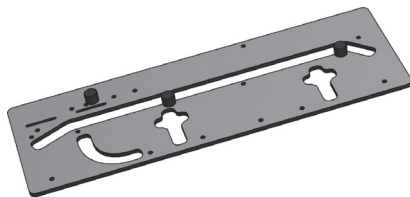
WYCINANIE POŁĄCZEŃ 90-STOPNIOWYCH



PAMIĘTAJ!

Podczas wycinania 90-stopniowego połączenia mając po prawej stronie koniec blatu, ustaw blat laminowaną, ozdobną częścią do góry. W celu spasowania męskich połączeń odwróć blat.

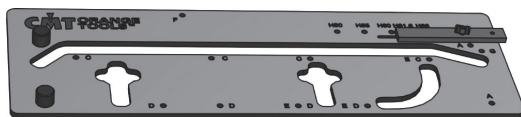
Podczas wycinania 90-stopniowego połączenia mając po lewej koniec blatu, ustaw blat laminowaną stroną do dołu. Podczas spasowania męskich połączeń odwróć blat laminowaną stroną do góry.



Pierwszym krokiem jest dostosowanie szablonu do szerokości blatu. Jeśli blat ma standardową 600 mm szerokość otworów pod tuleje oznaczone literą H. Jeśli blat jest szerszy, lub węższy, należy użyć ruchomej blokady szerokości.

WYCINANIE POŁĄCZEŃ 90 STOPNI – CIĄG DALSZY**KOLEK OPOROWY NASTAWNY**

By ustawić kółek oporowy, umocuj go do spodu szablonu przy pomocy śruby zaciskowej, zabezpiecz przy pomocy pokrętła i podkładki w odpowiednim otworze.



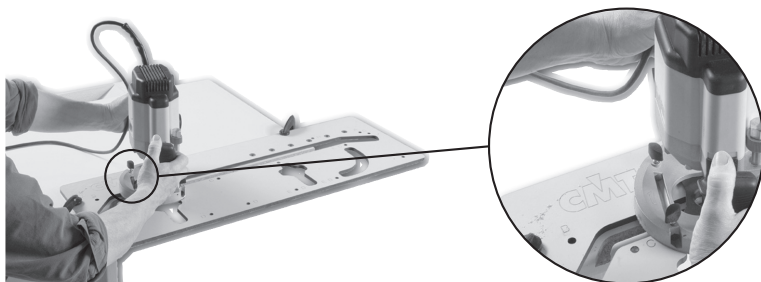
Umieść dwie tuleje mocujące w otworach B, dociśnij je mocno do przodu blatu i upewnij się, że szablon ustawiony jest do niego prostopadłe. Dopasuj kółek oporowy nastawny do tylnej krawędzi i unieruchom blat przy pomocy zacisków.

WYCINANIE DAMSKICH POŁĄCZEŃ:

Umieść blokady w otworach C szablonu (zobacz na stronie 65). Jedna z blokad powinna znajdować się z tyłu blatu, dwie wzdłuż jego frontowej części. Frontowe blokady umieść w dwóch z czterech otworów – odległość między nimi określi szerokość blatu. Zanim zaciśniesz szablon do blatu, upewnij się, że wszystkie tuleje mocno blokują krawędzie blatu. Upewnij się, czy zaciski nie znajdują się na drodze frezarki.

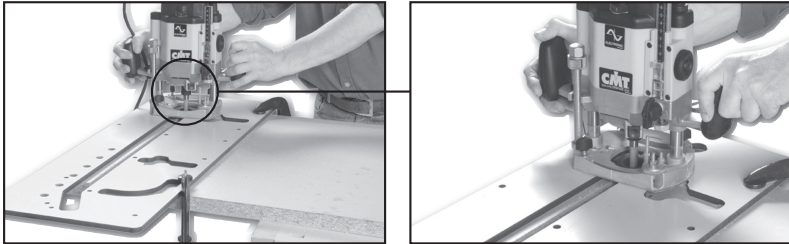
CIĘCIE:

Tnij wykonując serie płytkich przejść. Im mniejszy wysiłek włożysz w poruszanie frezarki, tym łatwiej będzie ją kontrolować, a jakość cięcia będzie większa. Utrzymaj stałą prędkość posuwu frezarki i upewnij się, że frez zagłębia się w materiał na tę samą głębokość. Zawsze pracuj od lewej do prawej, utrzymując prowadnicę wewnątrz otworu szablonu. By wykończyć krawędź dociśnij frezarkę nieco mocniej i wykonaj ostatnie przejście na pełną głębokość ostrza freza.



WYCINANIE MĘSKIEGO POŁĄCZENIA:

Najpierw obróć blat i sprawdź czy jest odpowiednią stroną ku górze. Podczas wycinania gniazd, ustaw kołek oporowy nastawny, lub tuleję mocującą w pozycji H, dwie pozostałe tuleje umieść w otworach B. Ustaw szablon wszerz blatu i zablokuj go zaciskami. Upewnij się, że szablon ustawiony jest prostopadłe do frontowej krawędzi blatu, oraz że tuleje blokują blat na jego końcach. Przycmucz odcinany element do szablonu za pomocą zacisków lub unieruchom go w inny sposób, by uniknąć uszkodzenia laminatu podczas ostatniego przejścia frezarki. Wytnij męskie połączenie w taki sam sposób, jak wykonywałeś jego damską wersję.



WYRÓWNYWANIE PROSTOKĄTNYCH ŚCIAN BLATU:

Dopuszczalna niedokładność podczas stosowania szablonu do łączenia blatów wynosi do około 3 stopnie w jedną ze stron. Jednak połączenia nigdy nie będą miały dokładnych 90 stopni. Kąt zawsze będzie niwelowany w damskiej części łączenia.

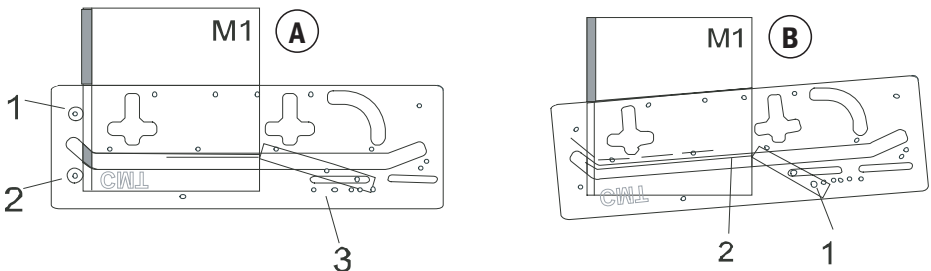
PL

Gdy jest to tylko możliwe, ustaw blat w taki sposób, by męska część łączenia była ponad damską. Jeśli nie masz wystarczająco miejsca by to zrobić, użyj kątomierza, lub innego miernika, by odczytać kąt i odwzorować ustawienie na blacie. Zapamiętaj nad którym końcem pracujesz i w razie potrzeby odwróć go laminowaną stroną do góry lub do dołu. Zdejmij poziom z damskiej krawędzi i zaznacz go na spodzie męskiej części. Będzie to linia cięcia, wyrównująca kąt łączenia. Narysuj równoległą do niej linię, w odległości 9 mm (margines dla prowadnicy frezarki).

Spójrz na diagram A: umieść dwie tuleje mocujące w otworach B szablonu, umieść blat frontową częścią od strony tulei i dociśnij go kołkiem oporowym nastawnym w taki sposób, by szablon ustawiony był prostopadły do krawędzi blatu. Sprawdź czy blat jest odpowiednio dociśnięty tulejami mocującymi od jego frontowej części, jeśli tak, umocuj blat do szablonu zaciskiem. Narysuj linię równoległą do krawędzi szablonu w odległości minimum 9 mm od krawędzi blatu. Wypoziomuj krawędź kołka oporowego nastawnego do prostopadłej krawędzi blatu i zaciśnij go śrubą.

Spójrz na diagram B: poluzuj i usuń dwie tuleje mocujące. Przesuń szablon na narysowaną linię, w taki sposób, by była równoległa do krawędzi linii cięcia wewnątrz szablonu ale nie mniej niż 9mm od niej, zamocuj zaciskami. Wykonaj cięcie wzdłuż narysowanej linii aż do krawędzi blatu wewnątrz otworu szablonu.

WYCINANIE KWADRATOWYCH POŁĄCZEŃ



Aby wyciąć 45-stopniowy róg połączenia, użyj 22,5mm zakrzywionego fragmentu otworu ustawionego pod kątem względem reszty szablonu CMT650.

Zarówno jak w 90-stopniowych połączeniach, tak i te 45-stopniowe muszą być wycięte z odpowiedniej strony, w zależności czy będą to łączenia z prawej, czy lewej strony, krawędź męska czy damska.

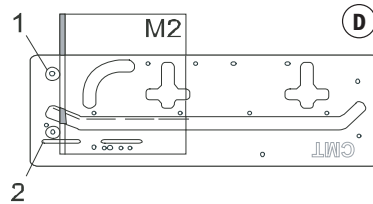
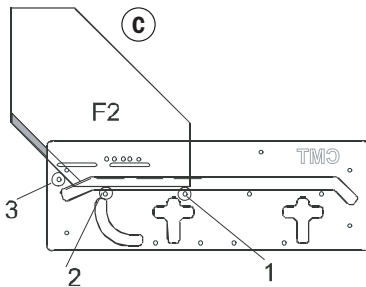
Pierwszym krokiem podczas wykonywania połączeń 45-stopniowych jest ustawienie i wycięcie kąta 45 stopni na końcu blatu (najlepiej pozostaw nieco więcej blatu niż wymagany rozmiar, by w razie potrzeby móc wykonać ponowne cięcie). Podczas przycinania blatu na długość, użyj piły by odciąć nadwyżkę z 3mm marginesem na wykończenie krawędzi. Następnie wyrównaj krawędź do żądanych rozmiarów przy pomocy freza i krawędzi szablonu. Zapewni to odpowiedni kąt i krawędź blatu.

Wycinanie damskiej krawędzi (spójrz na schemat C):

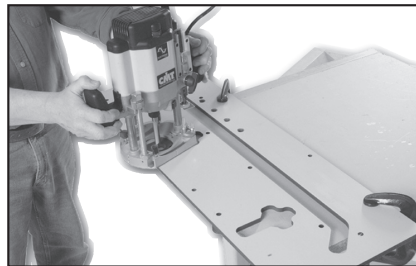
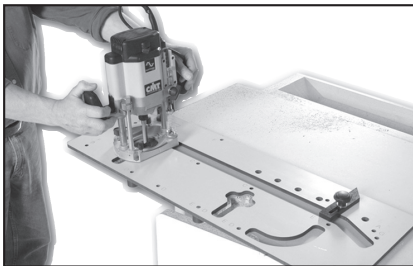
Umieść dwie tuleje mocujące w otworach C i jedną w otworze G. Ustaw szablon na blacie, dosuń frontem blat do tulei w otworze G i wyciętą pod kątem krawędzią do tulei C. Wykonaj cięcie przy pomocy frezarki wykonując te same procedury, jak w przypadku wycinania 90-stopniowych połączeń.

Wycinanie męskiej krawędzi (spójrz na schemat D):

Umieść blokady w otworach A, dociśnij do nich front blatu i mocno zaciśnij do niego szablon. Wykonaj frezarką cięcie postępując identycznie, jak w przypadku wycinania połączeń 90 stopni.


PL

WYCINANIE NISZ NA ŚRUBY MOCUJĄCE



By wyciąć nisze na śruby, umieść tuleje mocujące w otworach D szablonu. Otwór w szablonie w kształcie nisz powinien być nie dalej niż 100 mm od frontowej krawędzi blatu. Odległość między niszami może pozostać taka sama jak w szablonie, jak również może być dostosowana do szerokości blatu. Pamiętaj by na obu elementach łączenia nisze na śruby wykonane były w tych samych odstępach od krawędzi blatu i od siebie nawzajem.

Zaciśnij zaciski po przeciwnej stronie szablonu, by nie przeszkadzały w wycinaniu nisz. Wytnij nisze na taką głębokość, by śruba łącząca, była mniej więcej w połowie grubości blatu. Użyj 30mm prowadnicy i 12mm freza, wykonując serie płytkich wejść w materiał i usuwając wiór.

Gdy jest to konieczne, podczas montażu blatu użyj lameli (o rozmiarze 20), by wypoziomować elementy blatu i uniknąć ich poruszania się względem siebie. Otwory pod lamele można wykonać przy pomocy frezarki lub lamelownicy. Nie należy umieszczać mniej niż 4 lameli na 600mm odcinku blatu.

By wykonać otwory pod lamele, skorzystaj frezika piłkowego o 4mm grubości i 47,6mm średnicy (numer 822.340.11), oraz 22mm łożyska, by otrzymać 12,8mm niszę (lamele o rozmiarze 20 mają około 24mm szerokości).

Oto kody zestawów, składających się z ostrza piłkowego i trzpienia z łożyskiem:

- dla trzpienia S=1/2" – 822.340.11B
- dla trzpienia S=1/4" – 822.340.11A
- dla trzpienia S=8 – 922.340.11A
- dla trzpienia S=12 – 922.340.11B

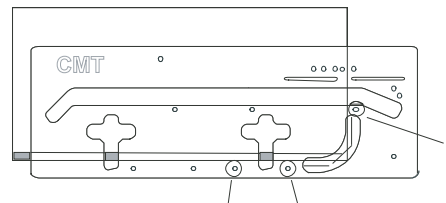
Oba końce połączeń muszą być zabezpieczone podczas montażu by uniknąć możliwość ingerencji wody do wnętrza połączenia. Można to uzyskać poprzez zastosowanie wodoodpornego kleju, albo lepiej, poprzez malowanie blatu wodoodporną farbą/klejem. Te ostatnie można dobrać w kolorach laminatu. Podczas pracy nad blatami z tańszych płyt wiórowych może okazać się, że krawędzie zostaną poszarpane. Należy to koniecznie wyrównać papierem ściernym przed montażem. Postaraj się nie dotykać krawędzi laminatu podczas wyrównywania.

INNE ZASTOSOWANIA ZESTAWU CMT650...

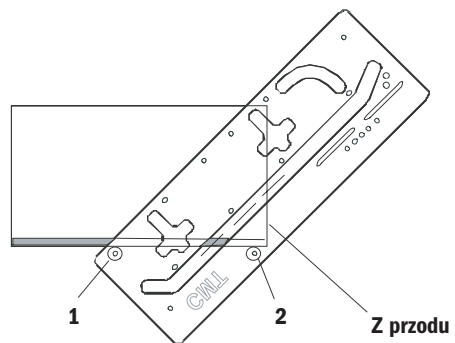
PL

INNE ZASTOSOWANIA SZABLONU CMT650

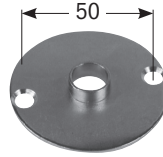
By wykonać cięcie 45-stopniowe narożnika, umieść dwie tuleje mocujące w otworach F i zrób cięcie przy pomocy frezarki, wykonując serie płytkich przejść, jak opisano wcześniej.



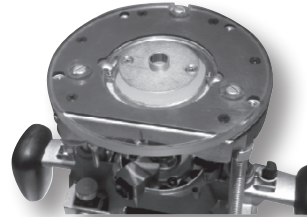
By wykonać cięcie 45-stopniowe narożnika, umieść dwie tuleje mocujące w otworach F i zrób cięcie przy pomocy frezarki, wykonując serie płytkich przejść, jak opisano wcześniej.



- FREZARKA
- TULEJA PROWADZĄCA Ø30MM*
- FREZ PROSTY Ø12MM
- DWA ZACISKI


PROWADNICE
*** KOMBINACJE FREZAREK I AKCESORIÓW**

Frezarka	Prowadnice	Router bazy
CMT7E	899.007.00	CMT300-SB
CMT8E	899.007.00	CMT300-SB
NO-CMT	899.007.00	CMT300-SB1


ROUTER BAZY

Frezy do przyrządu

Rekomendujemy użycie następujących frezów Ø12mm:

NR KATALOGOWY	OPIS	TRZPIEŃ
912.120.11	Ø12x31,7	S=8mm
652.120.11	Ø12x28,3	S=8mm
912.621.11	Ø12x38,1	S=12mm
912.622.11	Ø12x50,8	S=12mm
812.620.11	Ø12x31,7	S=12,7mm
812.621.11	Ø12x38,1	S=12,7mm
652.121.11	Ø12x48,3	S=12mm
652.621.11	Ø12x48,3	S=12,7mm

Znaki towarowe CMT: logo, nazwa CMT ORANGE TOOLS a także kolor pomarańczowy, którym pokryte są narzędzia są znakami towarowymi C.M.T. Utensili SpA. Wszelkie inne znaki towarowe wymienione w katalogach produktów CMT oraz na stronie internetowej CMT są własnością ich prawnych właścicieli.

© **C.M.T. UTENSILI S.p.A.**

Niniejszy dokument służy do użytku osobistego. Jakikolwiek powielanie go jest niedopuszczalne i zabronione bez pisemnej zgody firmy C.M.T Utensili S.p.A.



www.cmtorangetools.com